

# Circular push-pull connectors

## Introduction:

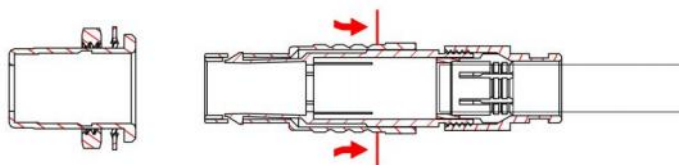
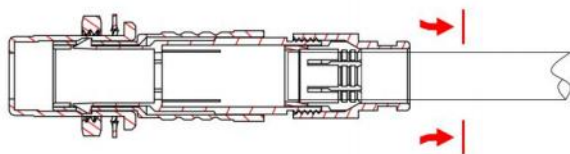
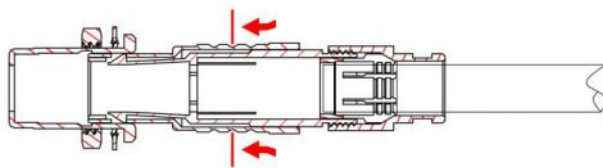
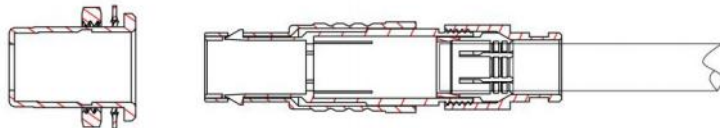
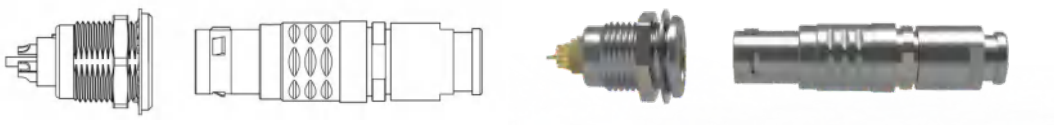
This self-latching system is renowned worldwide for its easy and quick mating and unmating features. It provides absolute security against vibration, shock or pull on the cable, and facilitates operation in a very limited space.

Circular electrical connector adopts this push-pull self-locking structure, which is widely used in electronic, instrumentation, video processing, medical and other equipment electrical signal connection. It is especially suitable for electric signal connection on instruments and equipment which need frequent connection and separation and shielding.

## Characteristics:

- Push-pull self - locking connection connection separation is simple and quick;
- The delicate self - locking device ensures the firm and reliable connection;
- The reasonable key design has the function of preventing blind insertion and a variety of key changes;
- Compact structure design, can effectively save equipment space;
- The all-metal structure can effectively shield the function;

## Drawings:



The self-latching system allows the connector to be mated by simply pushing the plug axially into the socket.

Once firmly latched, connection cannot be broken by pulling on the cable or any other component part other than the outer release sleeve.

When required, the connector is disengaged by a single axial pull on the outer release sleeve. This first disengages the latches and then withdraws the plug from the socket.

# METAL SERIES

## B SERIES

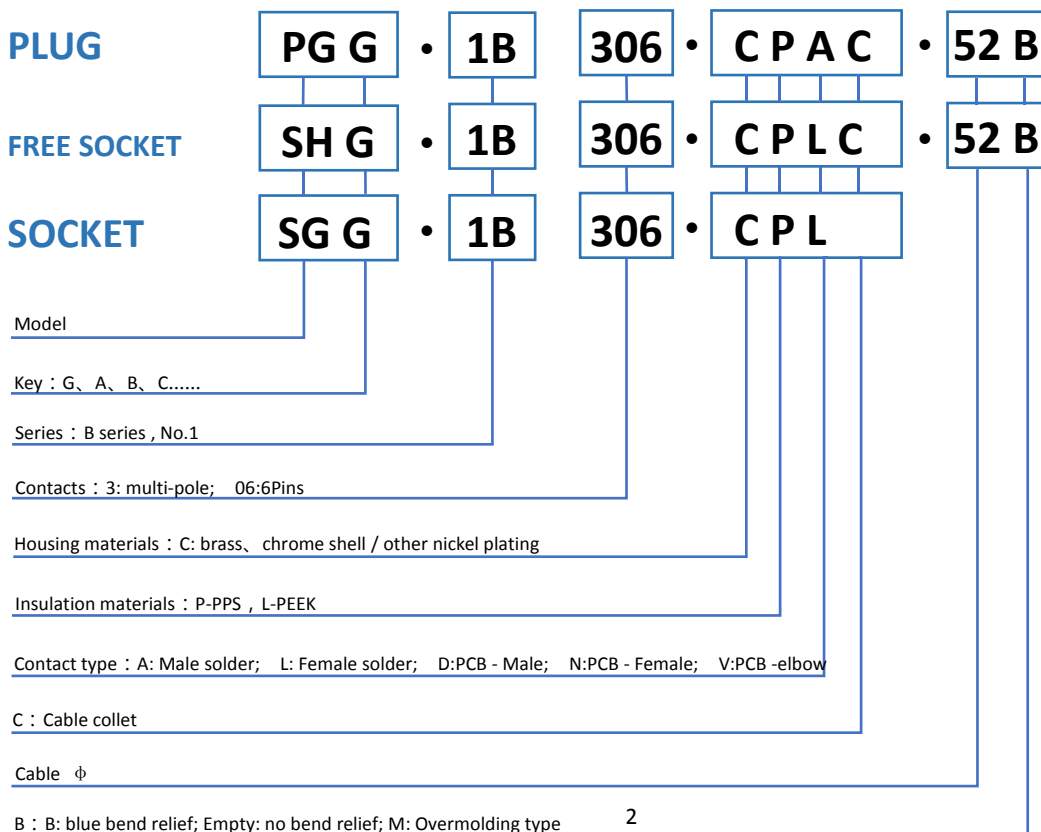
### B series metal push-pull connectors

- Quick push-pull self-latching system;
- Solder, crimp or print contacts;
- Straight or elbow 90°;
- Multiple keying optional to avoid mismatching;
- Full EMC shielding;
- Multipole 2~32 Pins;
- Keying system ("G" key standard);

### B series Technical characteristic

- Mating cycles : > 5000 times
- Humidity: at 60 °C, max. up to 95%
- Temperature range: -45 ° ~ + 125 °
- Vibration: 10-20,000HZ, 15g
- Mechanical shock: 100g.6ms
- Salt fog Corrosion:> 48h
- Protection class(mated): IP50

### B Series part numbering system



## Example

### Straight Plug with cable collet :

PGG.1B306.CPAC.62 : Straight plug , Key ( G ) with cable collet , 1B series , Multi-pole type , 6Pins , Brass (chrome plated)shell and collet nut, PPS insulation, Male solder contacts, C type collet for 6.0 mm diameter cable.

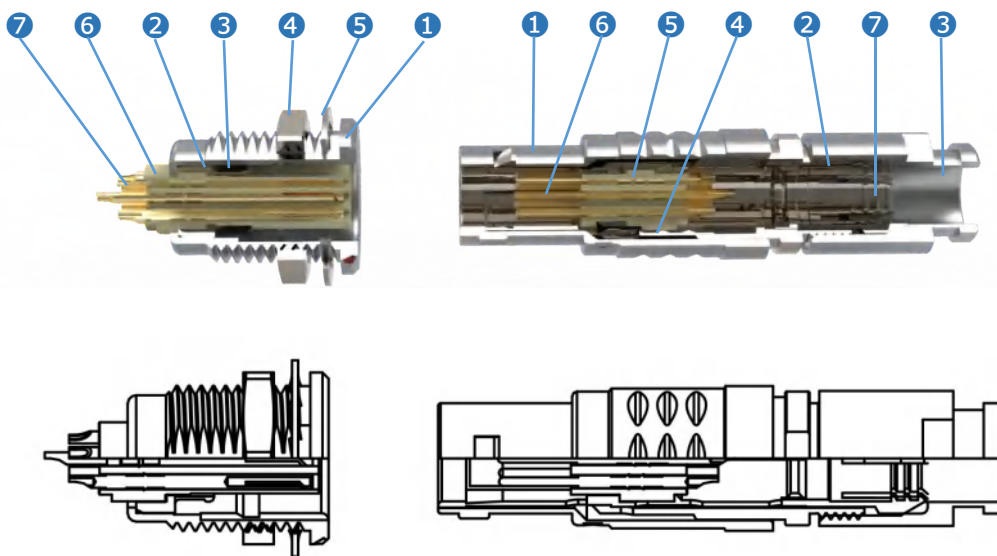
### Free Socket :

SHG.1B306.CPLC.62Y : Free Socket , Key ( G ) with cable collet , 1Bseries , Multi-pole , 6Pins , Brass (chrome plated)shell and collet nut, PPS insulation, Male solder contacts, C type collet for 6.0 mm diameter cable and nut for fitting a bend relief.

### Fixed Socket :

SGG.1B306.CPL : Fixed Socket , Key ( G ) , 1B series , Multi-pole type , 6Pins , Brass (chrome plated)shell, PPS insulation, Female solder contacts.

## Part section showing internal components



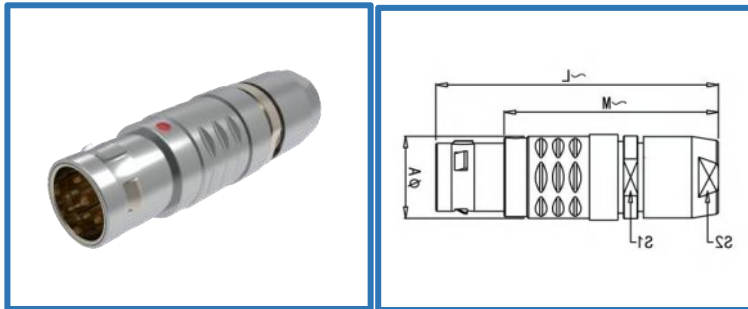
### FIXED SOCKET

- ① 外壳 outer shell
- ② 接地环 earthing ring
- ③ 固定环 fixing ring
- ④ 六角螺母 hexagonal nut
- ⑤ 止转垫圈 anti-rotation washer
- ⑥ 绝缘体 insulator
- ⑦ 母针芯 female contact

### STRAIGHT PLUG

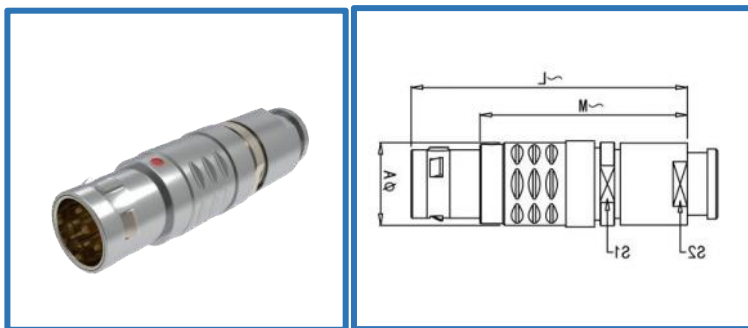
- ① 外壳 outer shell
- ② 内套 inner sleeve
- ③ 尾盖 collet nut
- ④ 绝缘体固定片 split insert carrier
- ⑤ 绝缘体 insulator
- ⑥ 公针芯 male contact
- ⑦ 线夹 cable coll

**PGG Straight Plug, key ( G ) or keys ( A...M and R), cable collet**



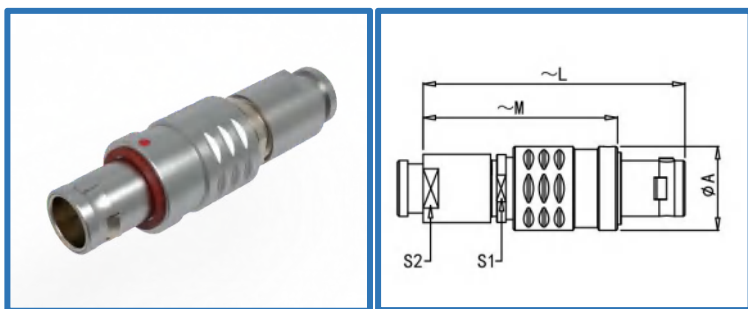
REFERENCE		DIMENSIONS(mm)				
SERIES	MODEL	A	L	M	S1	S2
00B	PGG	6.4	28.5	20.5	5.5	5.0
0B	PGG	9.5	36.0	26.0	8.0	7.0
1B	PGG	12.0	43.0	32.0	10.0	9.0
2B	PGG	15.0	50.0	38.0	13.0	12.0
3B	PGG	18.0	58.0	43.0	15.0	14.0

**PGG Straight Plug, key ( G ) or keys ( A~J ) , cable collet and nut for fitting a bend relief**



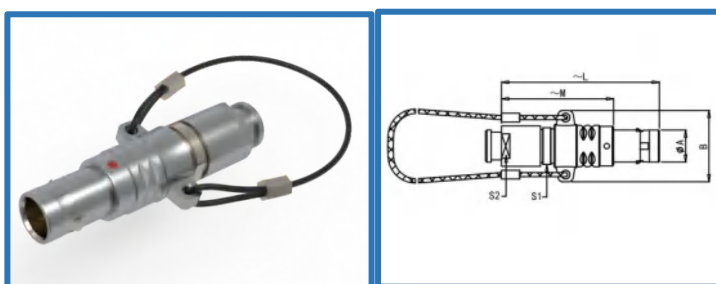
REFERENCE		DIMENSIONS(mm)				
SERIES	MODEL	A	L	M	S1	S2
00B	PGG	6.4	36.5	28.5	5.5	6.0
1B	PGG	12.0	42.0	31.0	0.0	9.0
2B	PGG	15.0	49.0	37.0	13.0	12.0
3B	PGG	18.0	56.5	42.0	15.0	15.0

**PEG Straight Plug , key( G ) or keys ( A~J ) , cable collet , front seal and nut for fitting a bend relief( IP65 when mated )**



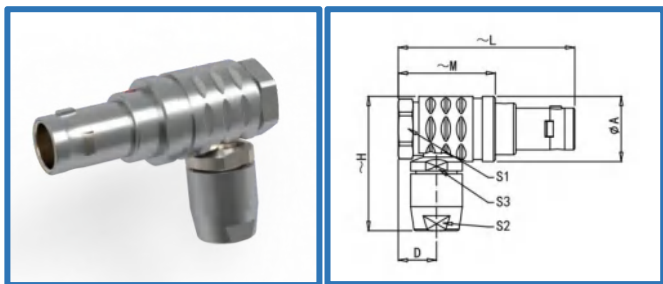
REFERENCE		DIMENSIONS(mm)				
SERIES	MODEL	A	L	M	S1	S2
0B	PEG	11.0	35.0	25.0	8	7
1B	PEG	13.5	42.0	33.0	10	9
2B	PEG	16.5	48.0	36.0	13	2
3B	PEG	19.0	56.0	41.5	15	15

**PNG Straight Plug , key ( G ) or keys ( A~J ) , cable collet and lanyard release**



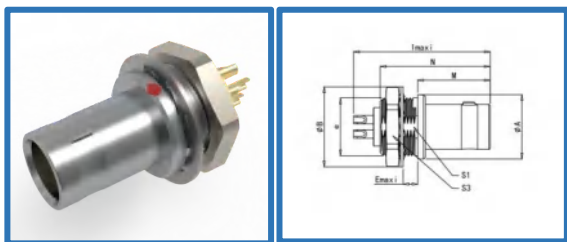
REFERENCE		DIMENSIONS(mm)						
SERIES	MODEL	A	B	L	M	N	S1	S2
0B	PNG	9.5	15.5	36.0	26.0	140	8	7
1B	PNG	12.0	18.0	43.0	32.0	140	10	9
2B	PNG	15.0	21.0	49.0	37.0	160	13	12
3B	PNG	18.0	25.0	58.0	43.0	190	15	14

**PHG Elbow (90°) plug , key ( G ) or keys ( A~J ) , cable collet**



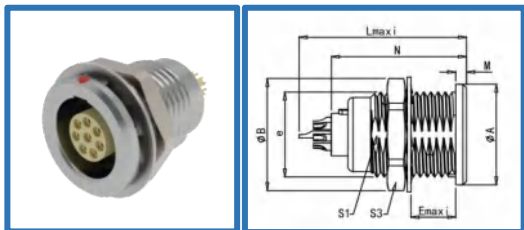
REFERENCE		DIMENSIONS(mm)							
SERIES	MODEL	A	D	H	L	M	S1	S2	S3
0B	PHG	11.0	6.5	26.0	31.6	21.6	10	7	8
1B	PHG	33.5	8.0	30.5	36.0	25	11	9	10
2B	PHG	16.5	9.0	34.0	41.5	29.5	14	12	13
3B	PHG	19.0	10.0	37.0	50.0	35	17	14	15

**PAG Fixed Plug , non-latching , nut fixing , key ( G ) or keys ( A~J )**



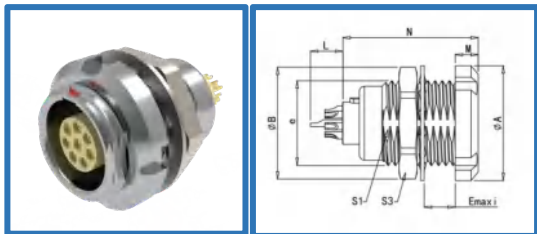
REFERENCE		DIMENSIONS(mm)							
SERIES	MODEL	A	B	e	E	L	M	N1	S1
0B	PAG	10	12.4	M9x0.5	4.2	20.8	11.2	17.0	8.2
1B	PAG	14	15.8	M12x1.0	5.4	25.2	12.5	21.6	10.5
2B	PAG	18	19.2	M15x1.0	6.0	28.7	13.8	23.9	13.5
3B	PAG	22	25.0	M18x1.0	5.8	32.1	17.0	30.2	16.5

**SGG Fixed Socket , nut fitting , key ( G ) or keys ( A~J )**



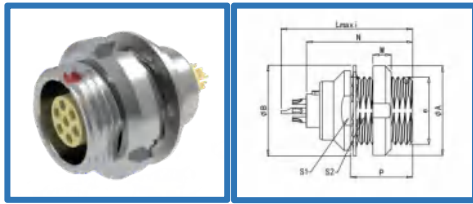
REFERENCE		DIMENSIONS(mm)								
SERIES	MODEL	A	B	e	E	L	M	N1	S1	S3
00B	SGG	8	10.2	M7x0.5	6.0	15.5	1.0	13.7	6.3	9
0B	SGG	10	12.4	M9x0.5	7.0	20.7	1.2	19.1	8.2	11
1B	SGG	14	15.8	M12x1.0	7.5	23.0	1.5	21.1	10.5	14
2B	SGG	18	19.2	M15x1.0	8.5	26.7	1.8	24.6	13.5	17
3B	SGG	22	25.0	M18x1.0	11.5	30.7	2.0	28.1	16.5	22

**SCG Fixed Socket with two nuts , key ( G ) or keys ( A~J ) ( back panel mounting )**



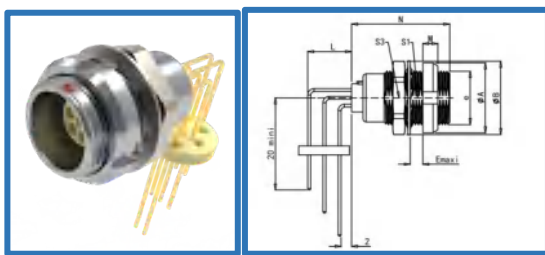
REFERENCE		DIMENSIONS(mm)								
SERIES	MODEL	A	B	e	E	L	M	N	S1	S3
0B	SCG	12	12.4	M9x0.5	5.5	20.7	2.5	19.1	8.2	11
1B	SCG	16	15.8	M12x1.0	6.0	23.0	3.5	21.1	10.5	14
2B	SCG	20	19.2	M15x1.0	6.5	26.7	3.5	24.6	13.5	17
3B	SCG	24	25.0	M18x1.0	9.0	30.7	4.5	28.1	16.5	22

**SEG Fixed Socket , nut fixing , key ( G ) or keys ( A~J ) ( back panel mounting )**



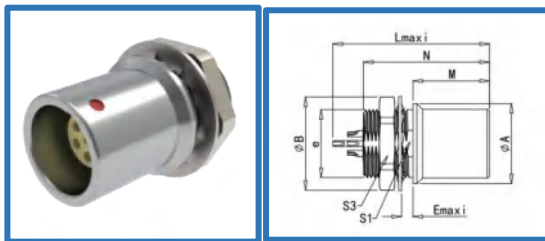
REFERENCE		DIMENSIONS(mm)									
SERIES	MODEL	A	B	e	E	L	M	N1	P	S1	S2
0B	SEG	12	12.5	M9x0.5	2.4	20.7	2.5	19.1	6.3	8.2	9.0
1B	SEG	16	16.0	M12x1.0	6.5	23.0	3.5	21.1	11.0	10.5	13.0
2B	SEG	20	20.0	M15x1.0	3.0	26.7	3.5	24.6	9.0	13.5	15.0
3B	SEG	24	25.0	M18x1.0	5.0	30.7	4.5	28.1	12.0	16.5	20.0

**SCG Fixed Socket with two nuts ,key( G ) or keys( A~J )with elbow(90°)contact for printed circuit( back panel mounting )**



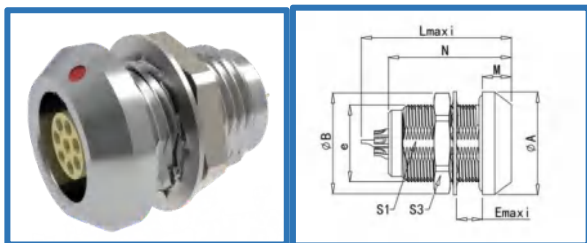
REFERENCE		DIMENSIONS(mm)								
SERIES	MODEL	A	B	e	E	L	M	S1	S3	
0B	SCG	12	12.4	M9x0.5	2.4	2.5	18.3	8.2	11	
1B	SCG	16	15.8	M12x1.0	6.0	3.5	20.3	10.5	14	
2B	SCG	20	19.2	M15x1.0	6.5	3.5	22.3	13.5	17	
3B	SCG	24	25.0	M18x1.0	9.0	4.5	25.8	16.5	22	

**SDG Fixed Socket, nut fixing , key ( G ) or keys ( A~J ) , and protruding shell**



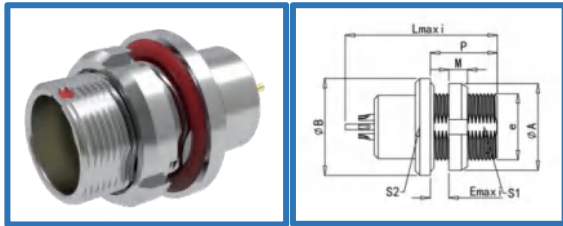
REFERENCE		DIMENSIONS(mm)								
SERIES	MODEL	A	B	e	E	L	M	N1	S1	S3
0B	SDG	10	12.4	M9x0.5	2.0	12.5	19.5	19.1	8.2	11
1B	SDG	14	15.8	M12x1.0	4.0	12.0	21.7	21.1	10.5	14
2B	SDG	18	19.2	M15x1.0	5.1	12.5	22.7	24.6	13.5	17
3B	SDG	22	25.0	M18x1.0	7.1	13.5	30.7	30.3	16.5	22

**SQG Fixed Socket , nut fixing , key ( G ) or keys ( A~J ) , and watertight or vacuumtight**



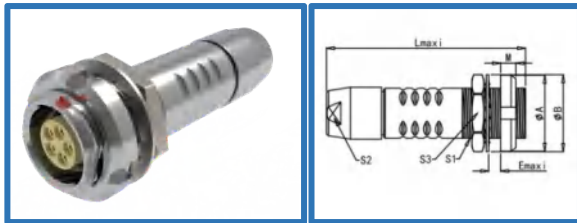
REFERENCE		DIMENSIONS(mm)								
SERIES	MODEL	A	B	e	E	L	M	S1	S3	
0B	SQG	13	12.4	M9x0.5	7.0	20.2	3.0	8.2	11	
1B	SQG	18	15.8	M12x1.0	7.0	26.6	4.5	10.5	14	
2B	SQG									
3B	SQG									

**SOG Fixed Socket , nut fixing , key ( G ) or keys ( A~J ) , and watertight or vacuumtight ( back panel mounting )**



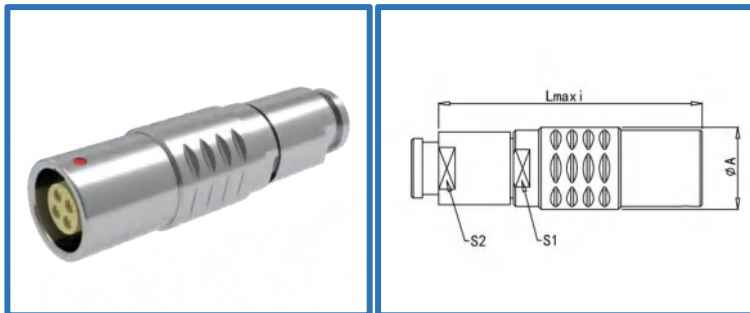
REFERENCE		DIMENSIONS(mm)								
SERIES	MODEL	A	B	e	E	L	M	P	S1	S2
0B	SOG	12	13	M9x0.5	5.5	20.2	2.5	9.0	8	-
1B	SOG	16	18	M12x1.0	5.5	26.6	3.5	11.0	11	-
2B	SOG	20	20	M15x1.0	5.5	31.6	3.5	9.6	14	15
3B	SOG									

**SFG Fixed Socket , nut fixing , key ( G ) or keys ( A~J ) , cable collet**



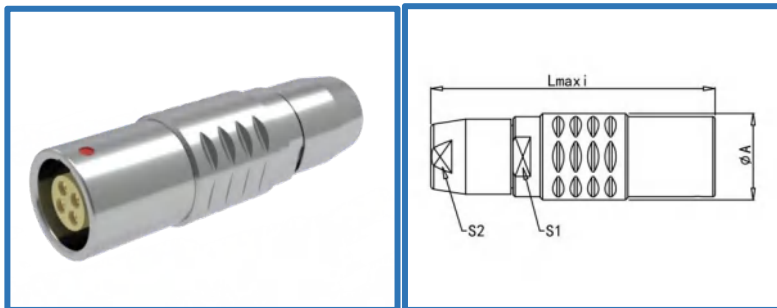
REFERENCE		DIMENSIONS(mm)								
SERIES	MODEL	A	B	e	E	L	M	S1	S2	S3
0B	SFG	10	12.4	M9x0.5	7.0	35.5	1.2	8.2	7	11
1B	SFG	14	15.8	M12x1.0	7.5	40.5	1.5	10.5	9	14
2B	SFG	18	19.2	M15x1.0	8.5	47	1.8	13.5	12	17
3B	SFG	22	25.0	M18x1.0	11.5	56	2.0	16.5	14	22

**SHG Free Socket , key ( G ) or keys ( A~J ) , cable collet and nut for fitting a bend relief**



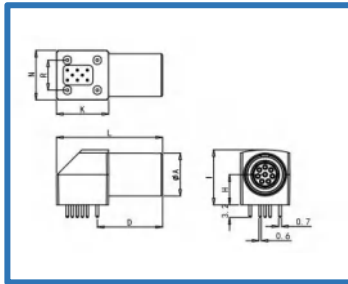
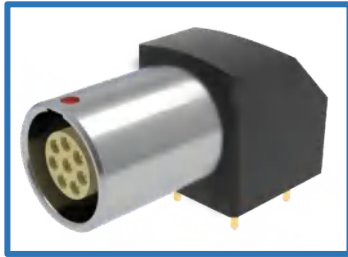
REFERENCE		DIMENSIONS(mm)			
SERIES	MODEL	A	L	S1	S2
0B	SHG	9.5	35.5	8.0	7
1B	SHG	12.5	40.5	10.0	9
2B	SHG	16.5	47.0	13.0	12
3B	SHG	19.0	56.0	15.0	14

**SHQ Free Socket , key ( G ) or keys ( A~J ) , cable collet**



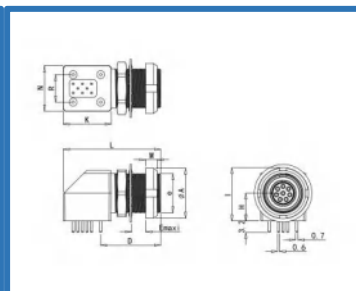
REFERENCE		DIMENSIONS(mm)			
SERIES	MODEL	A	L	S1	S2
0B	SHQ	9.5	35.5	8.0	7
1B	SHQ	12.5	40.5	10.0	9
2B	SHQ	16.5	47.0	13.0	12
3B	SHQ	19.0	56.0	15.0	15

**SWG Elbow (90°) Socket for printed circuit , key ( G ) or keys ( A~J ) ( solder or screw fixing )**



PART NUMBER	DIMENSIONS(mm)							
	A	D	H	I	K	L	N	R
SWG.0B302.CPN	9	14.6	6.7	12.7	13.3	25.0	11.7	7.62
SWG.0B303.CPN								
SWG.0B304.CPN								
SWG.0B305.CPN								
SWG.0B306.CPN								
SWG.0B307.CPN								
SWG.1B302.CPN	11	16.6	7.5	14.0	13.3	27.0	12.6	7.62
SWG.1B303.CPN								
SWG.1B304.CPN								
SWG.1B305.CPN								
SWG.1B306.CPN								
SWG.1B307.CPN								
SWG.1B308.CPN								

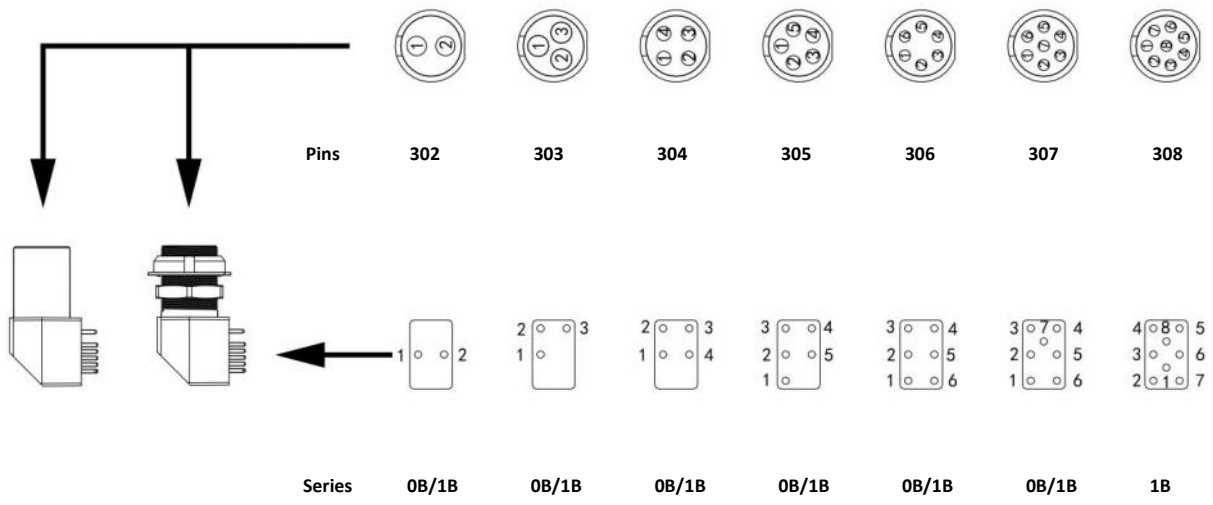
**SXG Elbow (90°) Socket for printed circuit with two nuts , key ( G ) or keys ( A~J ) ( solder or screw fixing )**



PART NUMBER	DIMENSIONS(mm)												
	A	B	D	e	E	H	I	K	L	M	N	R	S3
SXG.0B302.CPN	12	12.6	14.6	M9x0.5	6.0	6.7	12.7	13.3	25.0	2.5	11.7	7.62	11
SXG.0B303.CPN													
SXG.0B304.CPN													
SXG.0B305.CPN													
SXG.0B306.CPN													
SXG.0B307.CPN													
SXG.1B302.CPN													
SXG.1B303.CPN													
SXG.1B304.CPN													
SXG.1B305.CPN													
SXG.1B306.CPN													
SXG.1B307.CPN													
SXG.1B308.CPN													



**SWG, SXG Pinhole corresponds to the figure**



# K SERIES

## K series connectors have been specifically designed for outdoor applications

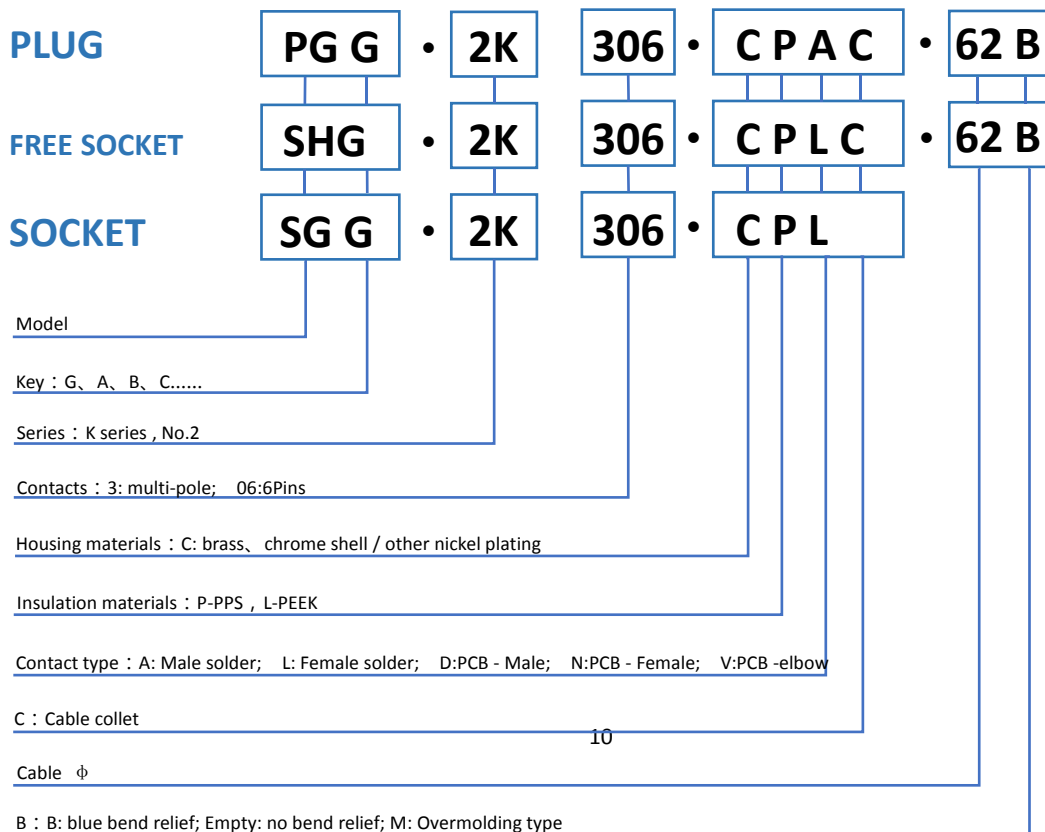
They include an inner sleeve and two seals to prevent penetration of solids or liquids into the housing formed by the plug, free socket, fixed socket or coupler. All models of this series are watertight when mated to give a protection index of IP68 as per IEC 60529 standard (in mated condition) when correctly assembled to an appropriate cable (IP66 otherwise).

- Security of the Push-Pull latching system ;
- Robust shell suitable for extremely harsh environment;
- 360° screening for full EMC shielding;
- Keying system (“G”key standard);
- Multipole type 2~32Pins;
- Watertight connection ( IP68/IP66 ) ;
- Solder, crimp or print(straight or elbow ) contacts;
- Multiple key options to avoid cross mating of similar connectors;
- High packing density for space savings;

## K series Technical characteristic

- Mating cycles: >5000 times
- Humidity: at 60 °C, max. up to 95%
- Temperature range: -45 ° ~ + 125 °
- Vibration: 10-20,000HZ, 15g
- Mechanical shock: 100g.6ms
- Salt fog Corrosion:> 48h
- Protection class(mated): IP66 ~ IP6

## K Series P/N rules:



## Example

### Straight Plug with cable collet :

PGG.2K306.CPAC.62 : Straight plug , Key ( G ) with cable collet , 2K series , Multi-pole , 6Pins , Brass (chrome plated)shell and collet nut, PPS insulation, Male solder contacts, C type collet for 6.2 mm diameter cable.

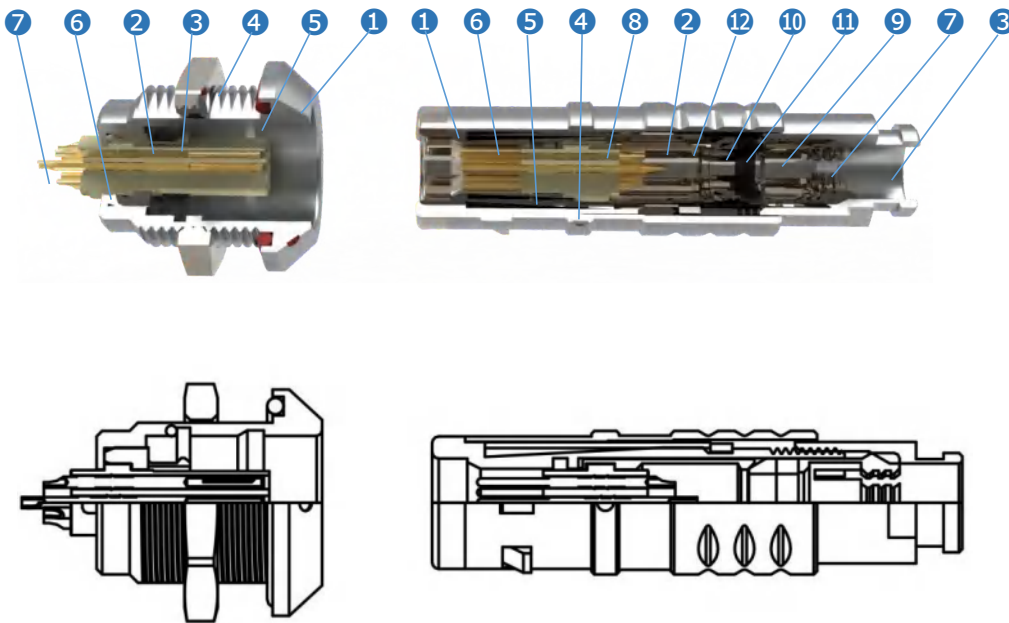
### Free Socket :

SHG.2K306.CPLC.62Y : Free Socket , Key ( G ) with cable collet , 2K series , Multi-pole , 6Pins , Brass (chrome plated)shell and collet nut, PPS insulation, Male solder contacts, C type collet for 6.2 mm diameter cable and nut for fitting a bend relief.

### Fixed Socket :

SGG.2K306.CPL : Fixed Socket , Key ( G ) , 2K series , Multi-pole type , 6Pins , Brass (chrome plated)shell, PPS insulation, Female solder contacts.

## Part section showing internal components



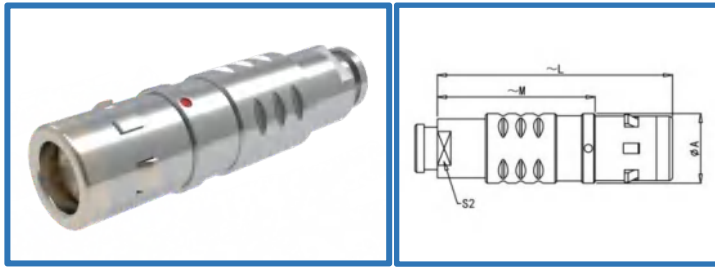
### FIXED SOCKET

- ① 外壳 outer shell
- ② 接地环 earthing ring
- ③ 固定环 fixing ring
- ④ 六角螺母 hexagonal nut
- ⑤ O形圈 O-ring
- ⑥ 绝缘体 insulator
- ⑦ 母针芯 female contact

### STRAIGHT PLUG

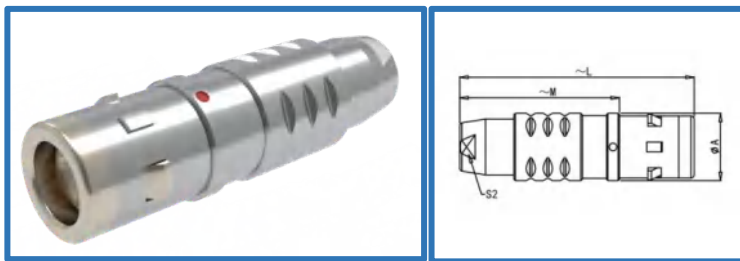
- ① 外壳 outer shell
- ② 内套 inner sleeve
- ③ 尾盖 collet nut
- ④ 绝缘体固定片 split insert carrier
- ⑤ 绝缘体 insulator
- ⑥ 公针芯 male contact
- ⑦ 线夹 collet
- ⑧ 内壳 inner shell
- ⑨ 固定环 fixing ring
- ⑩ 接地锥 earthing cone
- ⑪ 弹性垫圈 elastic washer
- ⑫ 金属垫 metal washer

**PGG Straight Plug , key ( G ) or keys ( A~J ) , cable collet**



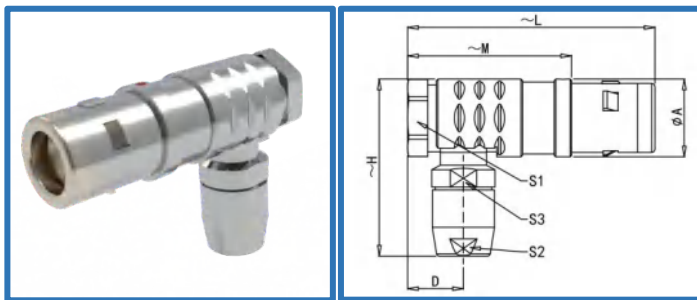
REFERENCE		DIMENSIONS(mm)			
SERIES	MODEL	A	L	M	S2
0K	PGG	11	37.5	26.0	7
1K	PGG	13	44.0	29.5	9
2K	PGG	16	52.0	36.0	12
3K	PGG	19	58.0	37.0	15

**PGG Straight Plug , key ( G ) or keys ( A~J ) , cable collet nut for fitting a bend relief**



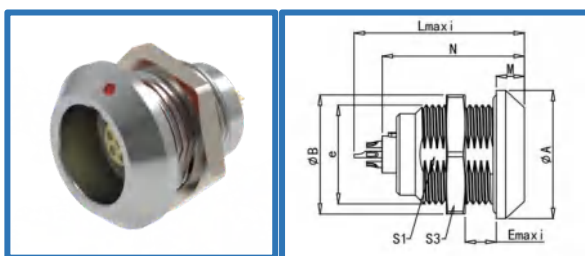
REFERENCE		DIMENSIONS(mm)			
SERIES	MODEL	A	L	M	S2
0K	PGG	11	37.5	26.0	7
1K	PGG	13	44.0	29.5	9
2K	PGG	16	52.0	36.0	12
3K	PGG	19	58.0	37.0	15

**PHG Elbow (90°) Plug , key ( G ) or keys ( A~J ) , cable collet**



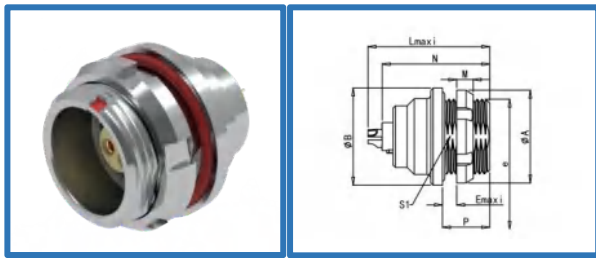
REFERENCE		DIMENSIONS(mm)							
SERIES	MODEL	A	D	H	L	M	S1	S2	S3
0K	PHG	11.5	7.6	27	36	25.0	10	7	8
1K	PHG	14.0	8.8	33	43	29.0	12	9	10
2K	PHG	17.5	10.5	40	51	35.0	15	12	13
3K	PHG	21.0	11.5	47	60	40.0	18	15	15

**SGG Fixed Socket , nut fixing , key ( G ) or keys ( A~J )**



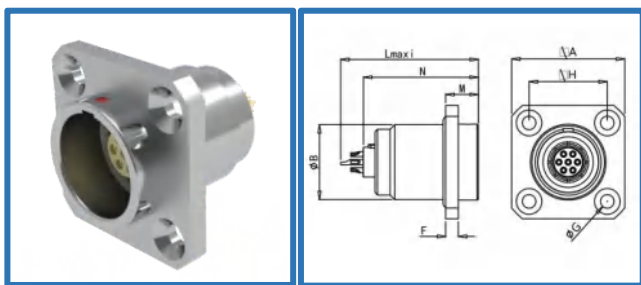
REFERENCE		DIMENSIONS(mm)								
SERIES	MODEL	A	B	e	E	L	M	N	S1	S2
0K	SGG	18.5	19.2	M14x1.0	6	21.5	4.0	17.6	12.5	17
1K	SGG	20.5	21.5	M16x1.0	9	27.5	4.5	22.8	14.5	19
2K	SGG	25.0	27.0	M20x1.0	9	29.5	5.0	25.5	18.5	24
3K	SGG	31.0	34.0	M24x1.0	16	35.8	6.0	30.6	22.5	30

**SEG Fixed Socket , nut fixing , key ( G ) or keys ( A~J ) ( back panel mounting )**



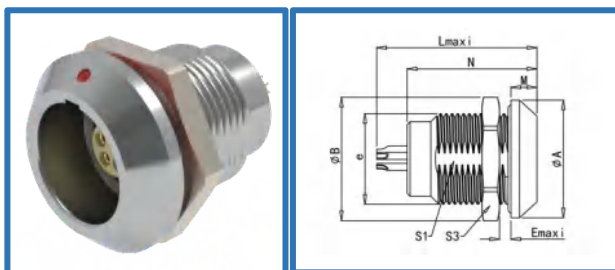
REFERENCE		DIMENSIONS(mm)								
SERIES	MODEL	A	B	e	E	L	M	N	P	S1
0K	SEG	18.5	18	M14x1.0	3.4	21.5	3.5	17.6	7	12.5
1K	SEG	20.5	20	M16x1.0	6.2	27.5	3.5	22.8	10	14.5
2K	SEG	25.0	25	M20x1.0	5.0	29.5	3.5	25.5	10	18.5
3K	SGG	30.0	31	M24x1.0	6.0	35.8	4.5	30.6	12	22.5

**SMG Fixed Socket with square flange , key ( G ) or keys ( A~J ) , screw fixing**



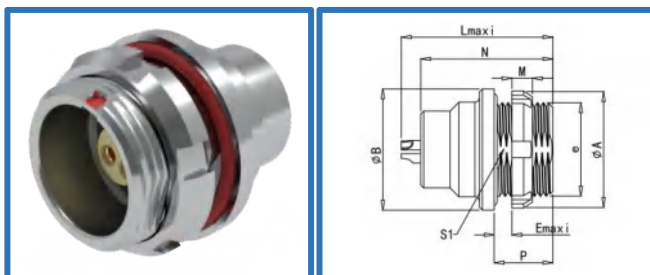
REFERENCE		DIMENSIONS(mm)							
SERIES	MODEL	A	B	F	G	H	L	M	N
1K	SMG	22.4	14.8	2.5	2.7	15.5	27.3	6.5	23.8
2K	SMG	25.0	18.8	2.5	2.7	17.5	30.8	6.5	25.5
3K	SMG	30.0	23.0	3.0	3.3	23.0	35.8	7.0	30.6

**SQG Fixed Socket , nut fixing , key ( G ) or keys ( A~J ) watertight or vacuumtight**



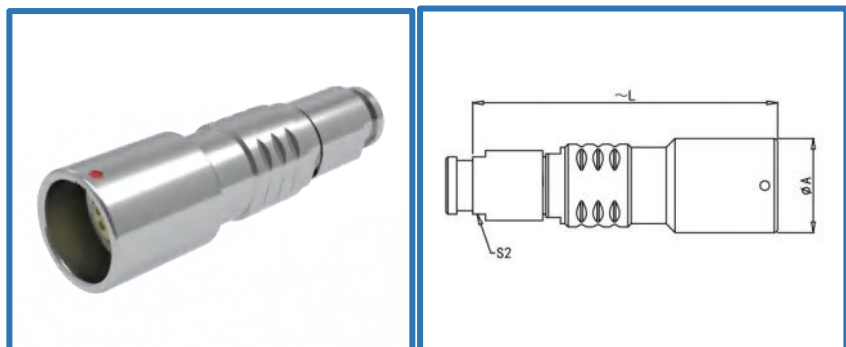
REFERENCE		DIMENSIONS(mm)							
SERIES	MODEL	A	B	e	E	L	M	S1	S3
0K	SQG	18.5	19.2	M14x1.0	5.5	21.5	4.0	12.5	17
1K	SQG	20.5	21.5	M16x1.0	9.0	27.5	4.5	14.5	19
2K	SQG	25.0	27.0	M20x1.0	13.0	30.8	5.0	18.5	24
3K	SQG	31.0	34.0	M24x1.0	16.0	35.8	6.0	22.5	30

**SOG Fixed Socket , nut fixing , key ( G ) or keys ( A~J ) , watertight or vacuumtight ( back panel mounting )**



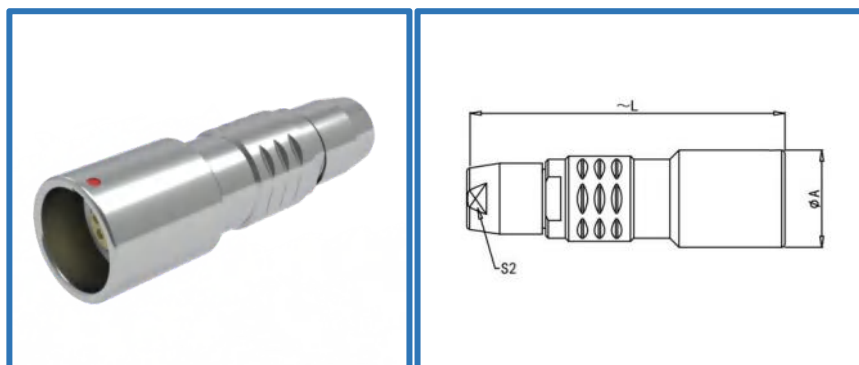
REFERENCE		DIMENSIONS(mm)								
SERIE	MODEL	A	B	e	E	L	M	P	S1	
S										
0K	SOG	18.5	18.5	M14x1.0	2.4	23.0	3.5	7	12.5	
1K	SOG	20.5	20.5	M16x1.0	6.2	30.0	3.5	10	14.5	
2K	SOG	25.0	25.0	M20x1.0	5.0	33.7	3.5	10	18.5	
3K	SOG	30.0	31.0	M24x1.0	6.0	35.8	4.5	12	22.5	

**SHG Free Socket , key ( G ) or keys ( A~J ) , cable collet and nut for fitting a bend relief**



REFERENCE		DIMENSIONS(mm)		
SERIES	MODEL	A	L	S2
0K	SHG	13	37.5	7
1K	SHG	15	47.9	9
2K	SHG	19	54.7	12
3K	SHG	23	64.0	15

**SHG Free Socket , key ( G ) or keys ( A~J ) , cable collet**



REFERENCE		DIMENSIONS(mm)		
SERIES	MODEL	A	L	S2
0K	SHG	13	37.5	8
1K	SHG	15	47.9	9
2K	SHG	19	54.7	12
3K	SHG	23	64.0	15

# T SERIES

## T series connectors have been specifically designed for outdoor applications

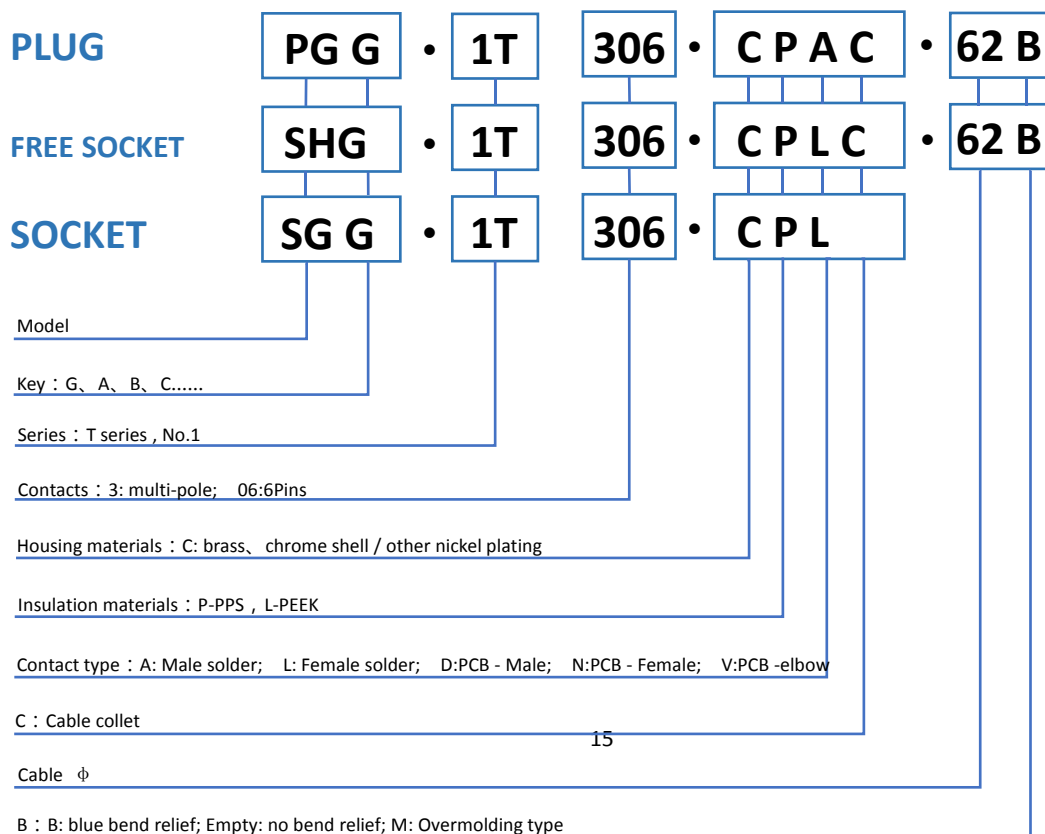
They include an inner sleeve and two seals to prevent penetration of solids or liquids into the housing formed by the plug, free socket, fixed socket or coupler. All models of this series are watertight when mated to give a protection index of IP68 as per IEC 60529 standard (in mated condition) when correctly assembled to an appropriate cable (IP66 otherwise).

- IP68/IP66 mated;
- Push-Pull self-latching system;
- Mechanical key(FGG) with multiple keys to avoid cross-mating;
- High packing density for space savings;
- 360° screening for full EMC shielding;
- Same mounting hole as B sockets;
- Multipole type 2~32Pins;
- For cables 1.0 up to 1.0-10.5mm
- Solder、 crimp or print(straight or elbow ) contacts;

## T series Technical characteristic

- Mating cycles: >5000 times
- Humidity: at 60 °C, max. up to 95%
- Temperature range: -45 ° ~ + 125 °
- Vibration: 10-20,000HZ, 15g
- Mechanical shock: 100g.6ms
- Salt fog Corrosion:> 48h
- Protection class(mated): IP66 ~ IP6

## T Series part numbering system



## Example

### Straight Plug with cable collet :

PGG.1T306.CPAC.62 : Straight plug , Key ( G ) with cable collet , 1T series , Multi-pole , 6Pins , Brass (chrome plated)shell and collet nut, PPS insulation, Male solder contacts, C type collet for 6.2 mm diameter cable.

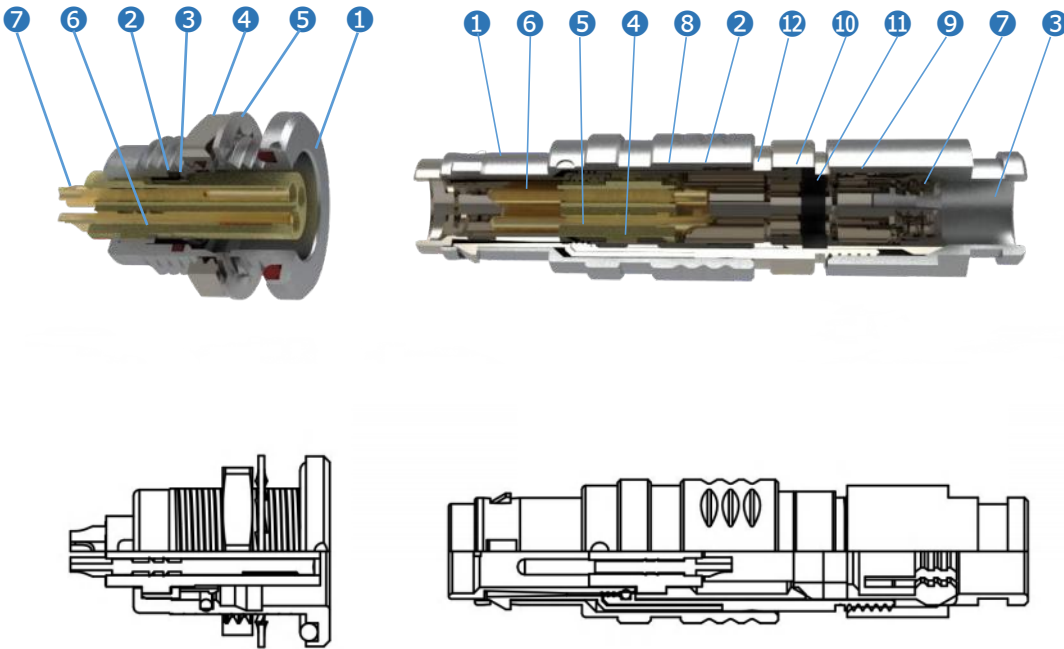
### Free Socket :

SHG.1T306.CPLC.62Y : Free Socket , Key ( G ) with cable collet , 1T series , Multi-pole , 6Pins , Brass (chrome plated)shell and collet nut, PPS insulation, Male solder contacts, C type collet for 6.2 mm diameter cable and nut for fitting a bend relief.

### Fixed Socket :

SGG.1T306.CPL : Fixed Socket , Key ( G ) , 1T series , Multi-pole type , 6Pins , Brass (chrome plated)shell, PPS insulation, Female solder contacts.

## Part section showing internal components



### FIXED SOCKET

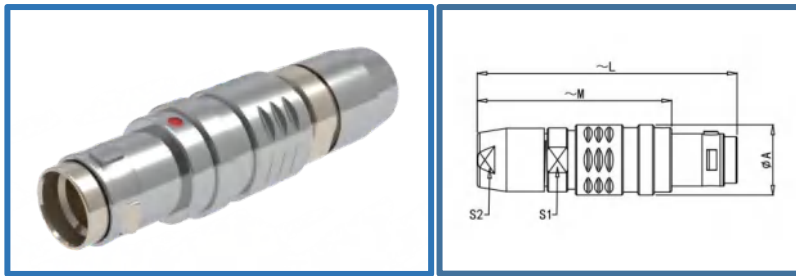
- ① 外壳 outer shell
- ② 接地环 earthing ring
- ③ 固定环 fixing ring
- ④ 六角螺母 hexagonal nut
- ⑤ 止转垫圈 anti-rotation washer
- ⑥ 绝缘体 insulator
- ⑦ 母针芯 female contact

### STRAIGHT PLUG

- ① 外壳 outer shell
- ② 内套 inner sleeve
- ③ 尾盖 collet nut
- ④ 绝缘体固定片 split insert carrier
- ⑤ 绝缘体 insulator
- ⑥ 公针芯 male contact
- ⑦ 线夹 collet
- ⑧ 内壳 inner shell
- ⑨ 固定环 fixing ring
- ⑩ 接地锥 earthing cone
- ⑪ 弹性垫圈 elastic washer
- ⑫ 金属垫 metal washer

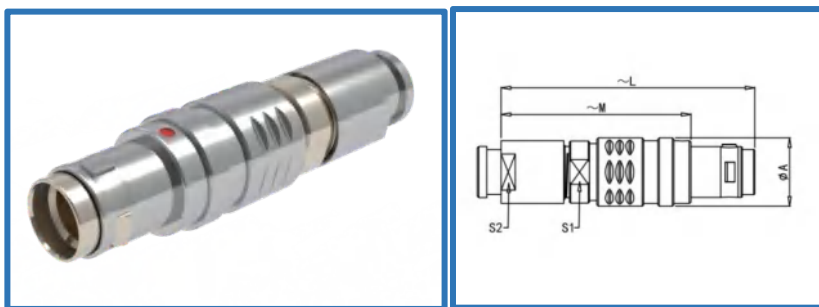


**PGG Straight plug , key ( G ) or keys ( A~J ) ,cable collet**



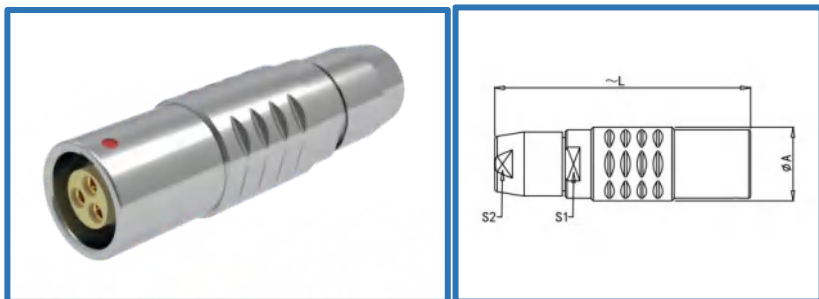
REFERENCE		DIMENSIONS(mm)				
SERIES	MODEL	A	L	M	S1	S2
0T	PGG	9.5	39.0	29.0	8	7
1T	PGG	12.0	46.0	35.0	10	9
2T	PGG	15.0	55.0	43.0	13	12
3T	PGG	18.8	64.0	49.0	15	14

**PGG Straight Plug , key ( G ) or keys ( A~J ) cable collet and nut for fitting a bend relief**



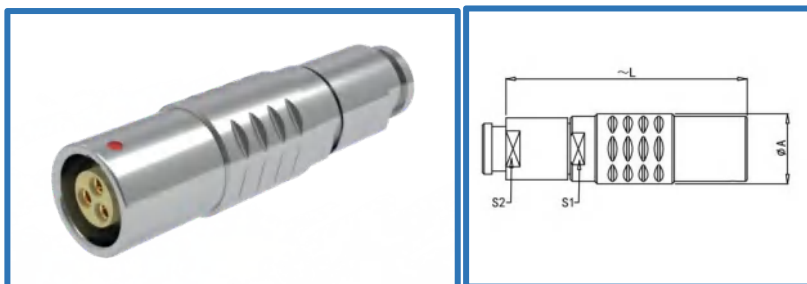
REFERENCE		DIMENSIONS(mm)				
SERIES	MODEL	A	L	M	S1	S2
0T	PGG	9.5	39.0	28.0	8	7
1T	PGG	12.0	46.0	34.0	10	9
2T	PGG	15.0	55.0	42.0	13	12
3T	PGG	18.8	64.0	47.0	15	15

**SHG Free Socket , key ( G ) or keys ( A~J ) , cable collet**



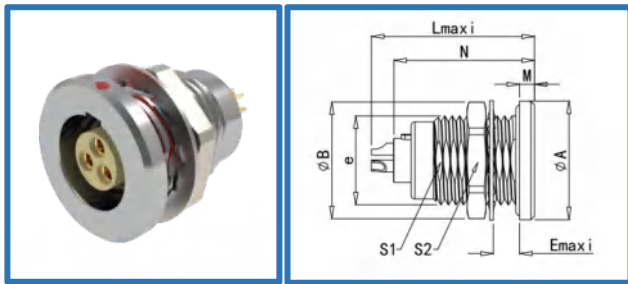
REFERENCE		DIMENSIONS(mm)				
SERIES	MODEL	A	L	S1	S2	
0T	SHG	9.5	38.0	8	7	
1T	SHG	12.4	43.5	10	9	
2T	SHG	15.5	52.0	14	12	
3T	SHG	18.8	61.5	15	14	

**SHG Free Socket , key ( G ) or keys ( A~J ) , cable collet and nut for fitting a bend relief**



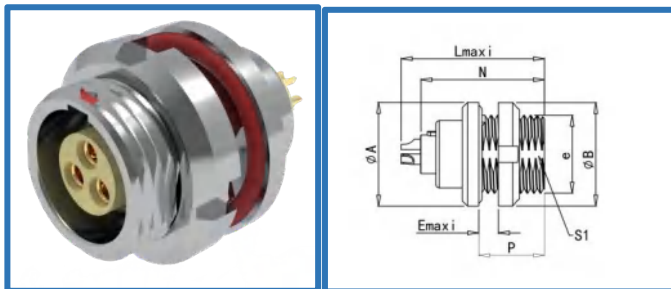
REFERENCE		DIMENSIONS(mm)				
SERIES	MODEL	A	L	S1	S2	
0T	SHG	9.5	37.0	8.0	7	
1T	SHG	12.4	42.5	10.0	9	
2T	SHG	15.5	51.0	14.0	12	
3T	SHG	18.8	60.0	15.0	15	

**SGG Fixed Socket , key ( G ) or keys ( A~J ) , nut fixing**



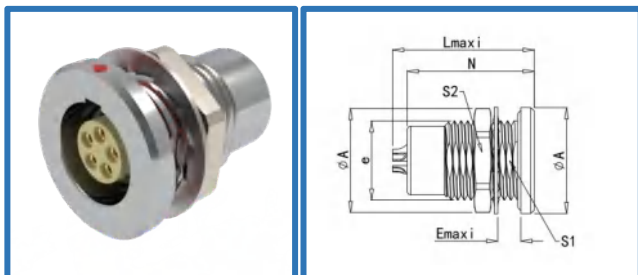
REFERENCE		DIMENSIONS(mm)									
SERIES	MODEL	A	B	e	E	L	M	N	S1	S2	
0T	SGG	12	12.5	M9x0.6	6.0	20.4	1.5	16.4	8.2	11	
1T	SGG	16	16.0	M12x1.0	6.0	23.3	1.8	18.8	10.5	14	
2T	SGG	19	19.6	M15x1.0	7.5	25.6	1.8	21.5	13.5	17	
3T	SGG	23	25.1	M18x1.0	9.6	33.6	2.5	25.0	16.5	22	

**SEG Fixed Socket , nut fixing , key ( G ) or keys ( A~J ) ( back panel mounting )**



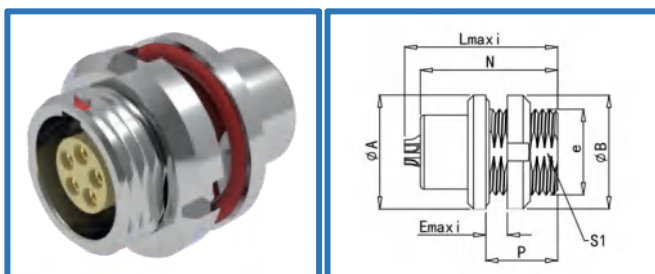
REFERENCE		DIMENSIONS(mm)								
SERIES	MODEL	A	B	e	E	L	N	P	S1	
0T	SEG	12.0	12	M9x0.6	6.5	21.0	19.1	9	8.2	
1T	SEG	15.5	16	M12x1.0	6.5	23.0	21.5	10	10.5	
2T	SEG	18.5	20	M15x1.0	7.5	26.5	24.6	11	13.5	
3T	SEG	23.5	24	M18x1.0	7.5	30.1	25.0	12	16.5	

**SQG Fixed Socket , nut fixing , key ( G ) or keys ( A~J ) , watertight or vacuumtight ( waterproof mated )**



REFERENCE		DIMENSIONS(mm)									
SERIES	MODEL	A	B	e	E	L	M	N	S1	S2	
0T	SQG	12.0	12.5	M9x0.6	6.5	20.5	1.5	16.5	8.2	11	
1T	SQG	15.5	16.0	M12x1.0	6.0	23.3	1.8	19.1	10.5	14	
2T	SQG	18.5	19.6	M15x1.0	8.0	27.5	1.8	21.5	13.5	17	

**SOG Fixed Socket , nut fixing , key ( G ) or keys ( A~J ) , watertight or vacuumtight ( back panel mounting )**



EFERENCE		IMENSIONS(mm)								
SERIES	MODEL	A	B	e	E	L	N	P	S1	
0T	SEG	12	12	M9x0.6	6.5	20.5	16.5	9	8.2	
1T	SEG	16	16	M12x1.0	6.5	23.3	19.1	10	10.5	
2T	SEG	19	20	M15x1.0	7.5	27.5	21.5	11	13.5	

# S SERIES

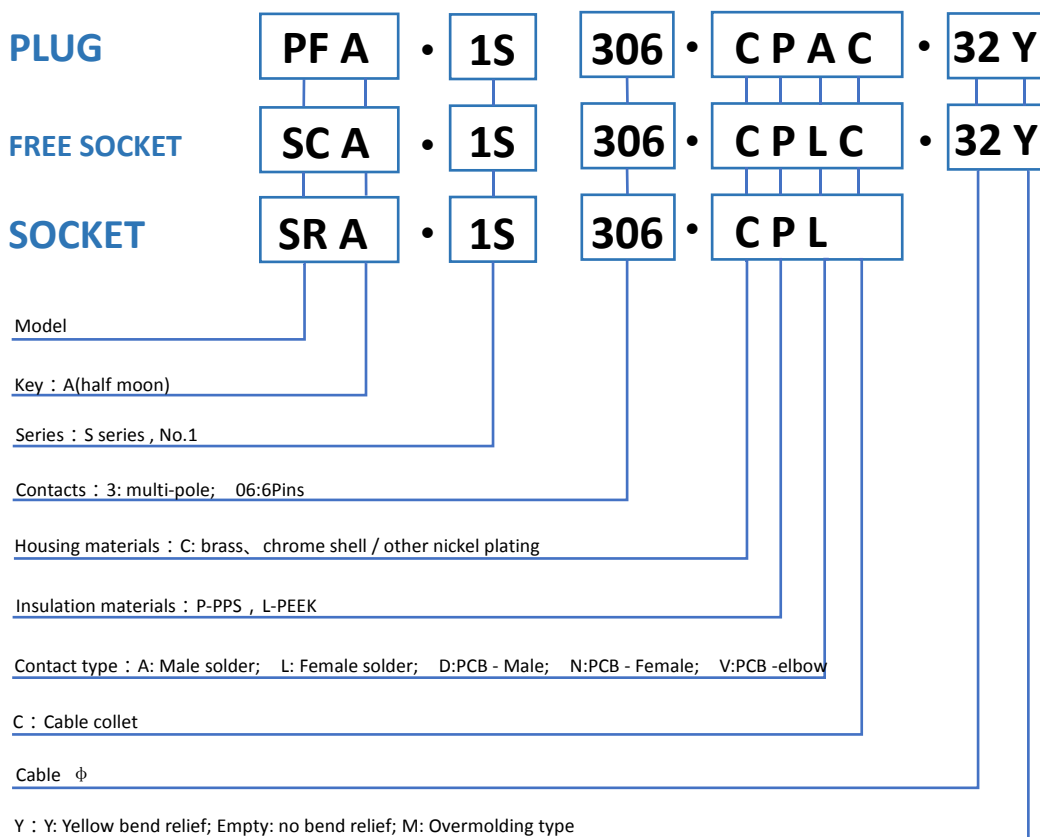
## S series metal push-pull connectors

- Security of the Push-Pull self-latching system;
- Multipole 2-6Pins ;
- Solder、 crimp or print(straight or elbow ) contacts;
- High packing density for space savings;
- Polarisation by stepped insert (half-moon)fitted with male and female contacts;
- 360° screening for full EMC shielding;

## S series Technical characteristic

- Mating cycles : > 5000 times
- Humidity: at 60 °C, max. up to 95%
- Temperature range: -45 ° ~ + 125 °
- Vibration: 10-20,000HZ, 15g
- Mechanical shock: 100g.6ms
- Salt fog Corrosion:> 48h
- Protection class(mated): IP50

## S series part numbering system



## Example

### Straight Plug with cable collet :

PFA.1S304.CPAC.32: Straight plug , Key ( G ) with cable collet , 1S series , Multi-pole type , 4Pins , Brass (chrome plated)shell and collet nut, PPS insulation, 2Pins male and 2Pins female solder contacts, C type collet for 3.2mm diameter cable.

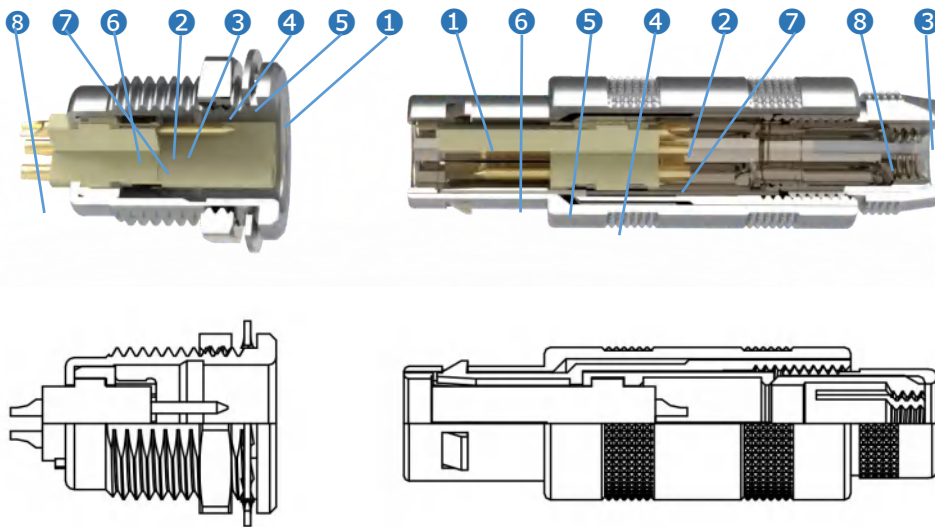
### Free Socket :

SCA.1S304.CPL.32Y: Free Socket , Key ( G ) with cable collet , 1S series , Multi-pole , 4Pins , Brass (chrome plated)shell and collet nut, PPS insulation, 2Pins female and 2Pins male solder contacts, C type collet for 3.2 mm diameter cable and nut for fitting a bend relief.

### Fixed Socket :

SRA.1S304.CPL: Fixed Socket , Key( G ) , 1S series , Multi-pole type , 4Pins , Brass (chrome plated)shell, PPS insulation, 2Pins female and 2Pins male solder contacts.

## Part section showing internal components



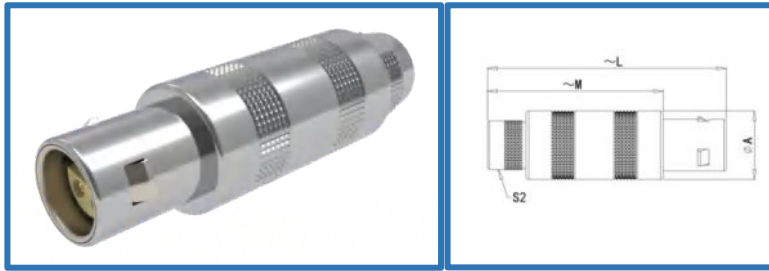
### FIXED SOCKET

- ① 外壳 outer shell
- ② 接地环 earthing ring
- ③ 固定环 fixing ring
- ④ 六角螺母 hexagonal nut
- ⑤ 止转垫圈 anti-rotation washer
- ⑥ 绝缘体 insulator
- ⑦ 公针芯 male contact
- ⑧ 母针芯 female contact

### STRAIGHT PLUG

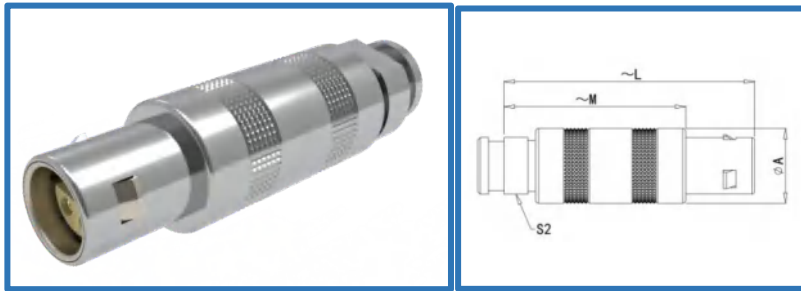
- ① 外壳 outer shell
- ② 内套 inner sleeve
- ③ 尾盖 collet nut
- ④ 定位件 positioning carrier
- ⑤ 绝缘体 insulator
- ⑥ 公针芯 male contact
- ⑦ 母针芯 female contact
- ⑧ 线夹 collet

**PFA Straight Plug , cable collet**



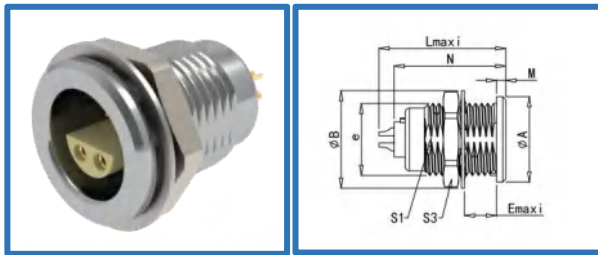
REFERENCE		DIMENSIONS(mm)			
SERIES	MODEL	A	L	M	S2
00S	PFA	6.4	26.0	18.0	6.0
0S	PFA	8.8	34.5	24.5	6.5
1S	PFA	11.8	42.5	31.5	8.5
2S	PFA	14.8	52.0	40.0	11.0

**PFA Straight Plug , cable collet and nut for fitting a bend relief**



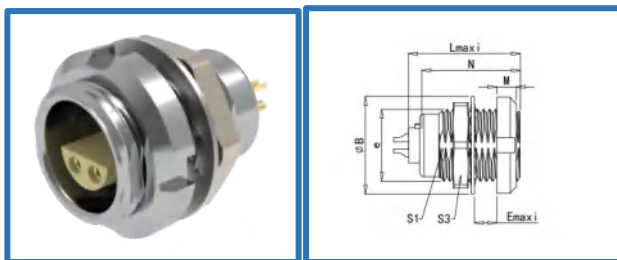
REFERENCE		DIMENSIONS(mm)			
SERIES	MODEL	A	L	M	S2
00S	PFA	6.4	26.0	18.0	6
0S	PFA	8.8	34.5	24.5	7
1S	PFA	11.8	42.5	31.5	9
2S	PFA	14.8	52.0	40.0	12

**SRA Fixed Socket, nut fixing**



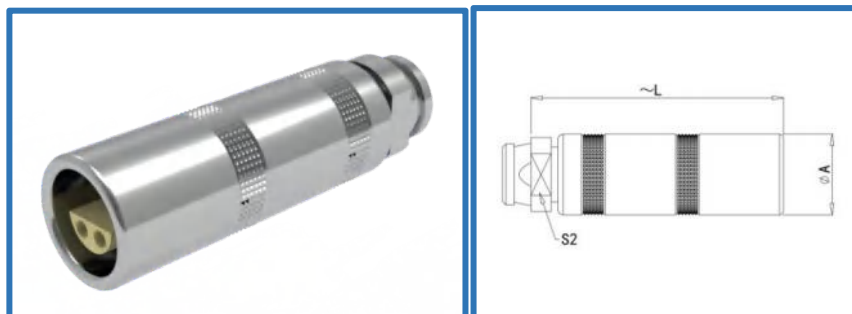
REFERENCE		DIMENSIONS(mm)								
SERIES	MODEL	A	B	e	E	L	M	S1	S3	N
00S	SRA	8	10.2	M7x0.5	5.5	14.5	1.0	6.3	9	12.5
0S	SRA	10	12.3	M9x0.5	6.0	18.5	1.25	8.2	11	16.0
1S	SRA	14	16.0	M12x1.0	7.5	20.5	1.5	10.5	14	18.3
2S	SRA	18	19.2	M15x1.0	8.0	24.8	2.0	13.5	17	22.5

**SRD Fixed Socket with two nuts**



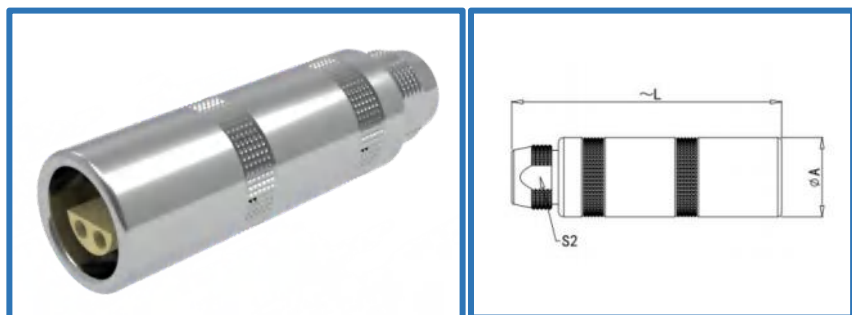
REFERENCE		DIMENSIONS(mm)								
SERIES	MODEL	A	B	e	E	L	M	N	S1	S3
0S	SRD	12	12.5	M9x0.5	5.5	18.5	2.5	16.0	8.2	11
1S	SRD	16	16.0	M12x1.0	6.0	20.5	3.2	18.3	10.5	14
2S	SRD	20	20.0	M15x1.0	6.5	24.8	3.5	22.5	13.5	17

**SCA Free Socket , cable collet and nut for fitting a bend relief**



REFERENCE		DIMENSIONS(mm)		
SERIES	MODEL	A	L	S2
0S	SCA	8.9	33.5	7
1S	SCA	11.9	40.5	9
2S	SCA	14.8	50.0	12

**SCA Free Socket, cable collet**



REFERENCE		DIMENSIONS(mm)		
SERIES	MODEL	A	L	S2
0S	SCA	8.9	33.5	6.5
1S	SCA	11.9	40.5	8.5
2S	SCA	14.8	50.0	11.0

# F SERIES

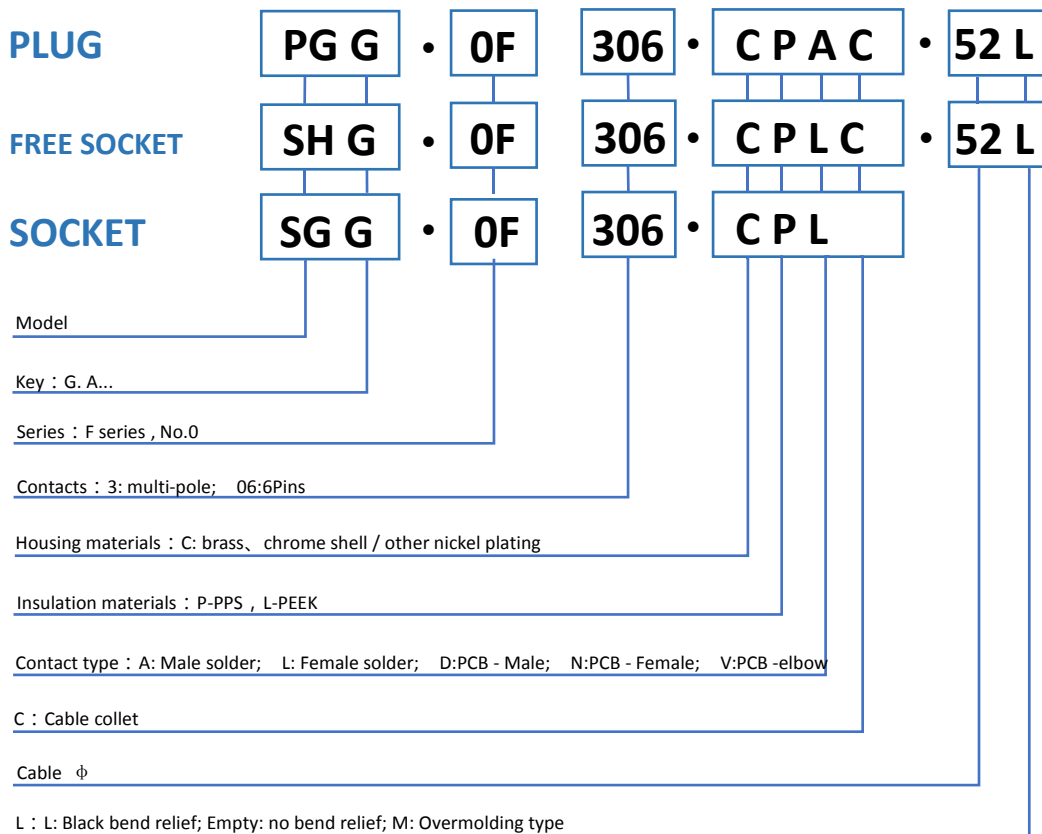
## F series metal push-pull connectors

- Push pull self-latching system
- Multipole 2-32Pins ;
- Solder or print(straight or elbow ) contacts;
- High packing density for space savings;
- Internal semi-circle keying to avoid mismatching;
- 360° screening for full EMC shielding;

## F series Technical characteristic

- Mating cycles : > 5000 times
- Humidity: at 60 °C, max. up to 95%
- Temperature range: -45 ° ~ + 125 °
- Vibration: 10-20,000HZ, 15g
- Mechanical shock: 100g.6ms
- Salt fog Corrosion:> 48h
- Protection class(mated): IP66~IP68

## F series part numbering system



## Example

### Straight Plug with cable collet :

PGG.0F306.CPAC.52 : Straight plug , Key ( G ) with cable collet , 0F series , Multi-pole type , 6Pins , Brass (chrome plated)shell and collet nut, PPS insulation, Male solder contacts, C type collet for 5.2 mm diameter cable.

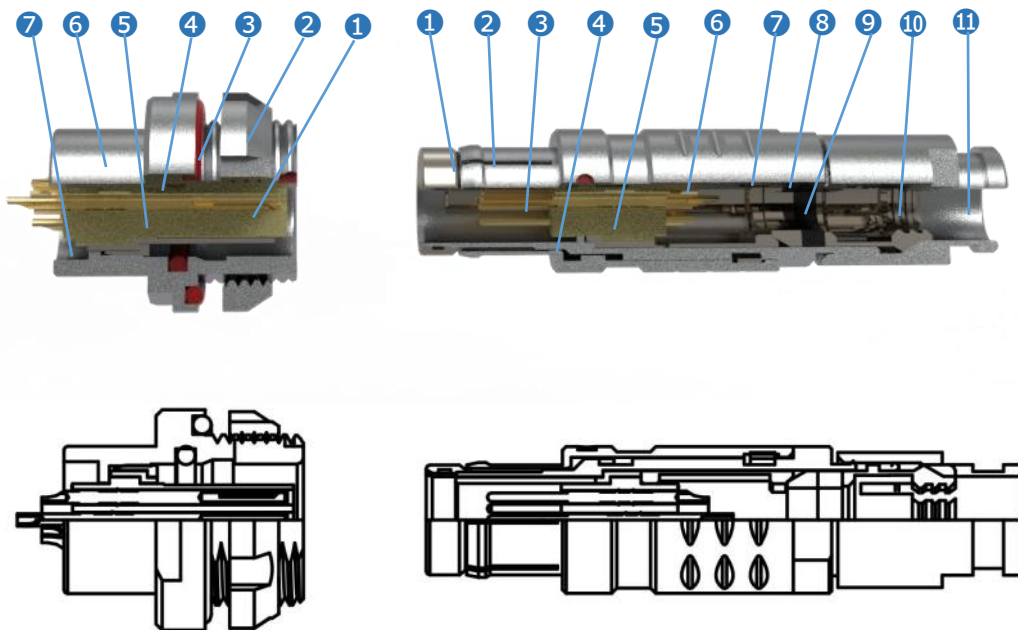
### Free Socket :

SHG.0F306.CPLC.52G : Free Socket , Key ( G ) with cable collet , 0F series , Multi-pole , 6Pins , Brass (chrome plated)shell and collet nut, PPS insulation, Male solder contacts, C type collet for 5.2 mm diameter cable and nut for fitting a bend relief.

### Fixed Socket :

SGG.0F306.CP : Fixed Socket , Key( G ) , 0F series , Multi-pole type , 6Pins , Brass (chrome plated)shell, PPS insulation, Female solder contacts.

## Part section showing internal components



### FIXED SOCKET

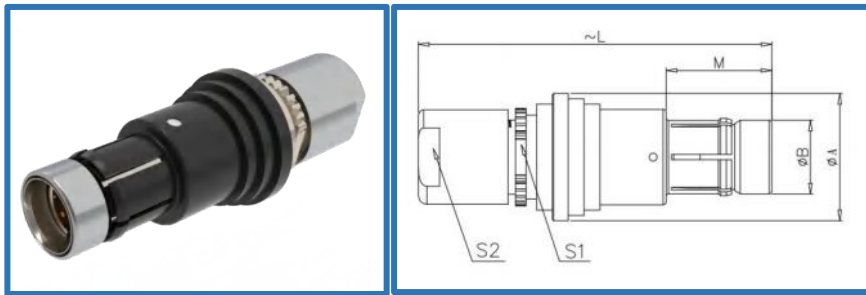
- ① 插孔 female contact
- ② 开槽螺母 slotted nut
- ③ O 型圈 o-rings
- ④ 挡圈 earthing crown
- ⑤ 孔绝缘体 insulator
- ⑥ 插座外壳 outer shell
- ⑦ 密封胶 rear seal

### STRAIGHT PLUG

- ① 镶套 latch sleeve
- ② 插头外壳 outer shell
- ③ 插针 male contact
- ④ 插头内套 inner sleeve
- ⑤ 针绝缘体 insulator
- ⑥ 接地片 earthing crown
- ⑦ 卡簧 ring
- ⑧ 挡环 stopper
- ⑨ 封垫 gasket
- ⑩ 电缆夹 cable collet
- ⑪ 尾帽 collet nut

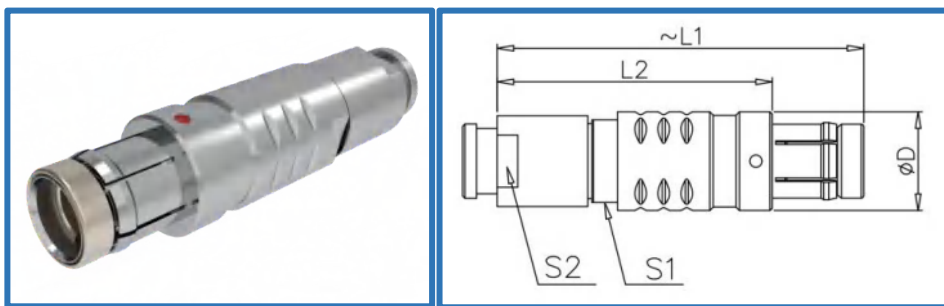


**PLG Straight Plug , cable collet, Internal semi-circle keying to avoid mismating, IP50/IP68**



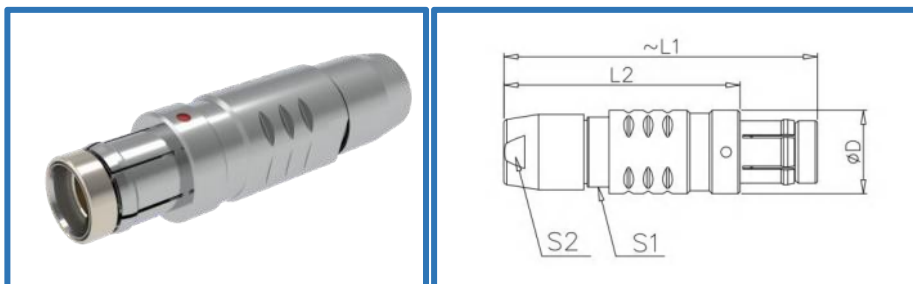
REFERENCE	DIMENSIONS(mm)					
SERIES	A	B	L	M	S1	S2
0F	11.9	7	34	10	8	7
1F	14.9	9	37	11	11	11
1.5F	15.5	10	40	10	12	12
2F	17.9	12	45	12	14	14
3F	21.3	15	51	15.2	17	16

**PGG Straight Plug with cable collet and nut for fitting a bend relief, Internal semi-circle keying to avoid mismating, IP50/IP68**



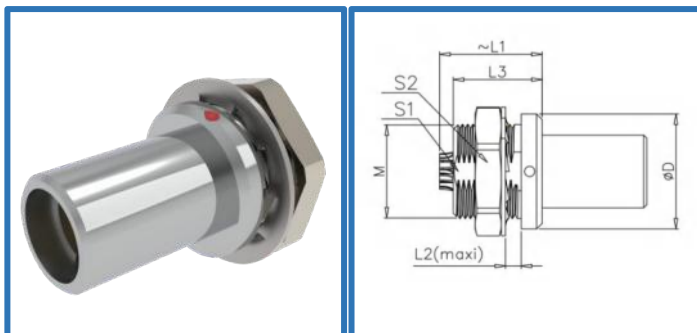
REFERENCE	DIMENSIONS(mm)				
SERIES	L1	L2	D	S1	S2
0F	~40	~30	9.4	8	7
1F	~49	~38	12	10	10
1.5F	~50	~40	13	11	12
2F	~53	~40	15	13	12
3F	~62	~47	18	16	15

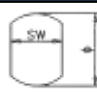
**PGG Straight Plug , cable collet, Internal semi-circle keying to avoid mismating, IP50/IP68**



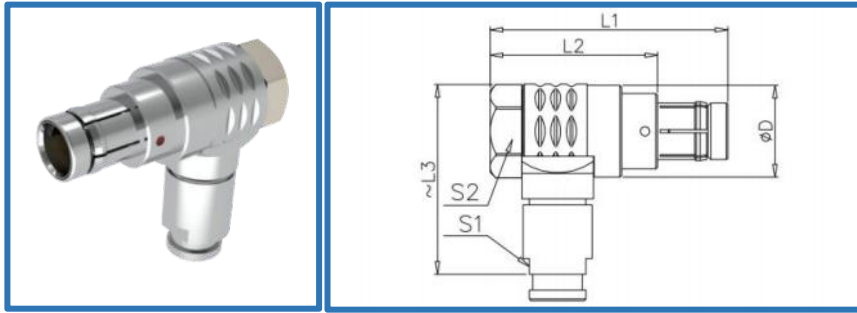
REFERENCE	DIMENSIONS(mm)				
SERIES	L1	L2	D	S1	S2
0F	~37	~30	9.4	8	7
1F	~47	~38	12	10	10
1.5F	~48	~40	13	11	12
2F	~50	~40	15	13	12
3F	~60	~47	18	16	15

**PAG Fixed Plug , non-latching , nut fixing , IP50**



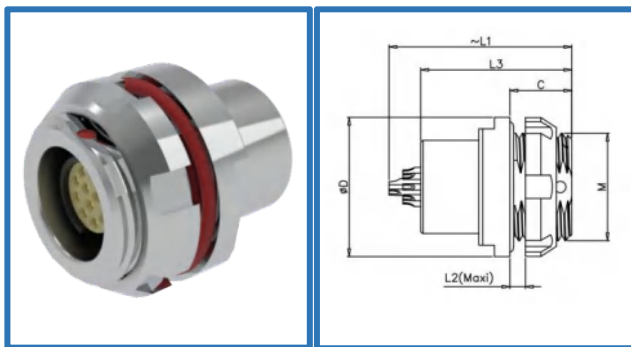
REFERENCE	DIMENSIONS(mm)						PANEL HOLES
SERIES	L1	L2	L3	D	S1	S2	
0F	17.0	5.8	24.5	10	8.2	11	SW 8.3/ $\phi$ 9.1
1F	22.3	10.0	29.5	14	10.5	14	SW 10.6/ $\phi$ 12.1
2F	23.5	9.7	31.5	18	13.5	17	SW 13.6/ $\phi$ 15.1
3F	29.0	12.0	33.0	22	16.5	22	SW 16.6/ $\phi$ 18.1

**PHG Elbow (90°) Plug , cable collet and nut for fitting a bend relief , IP50/IP68**



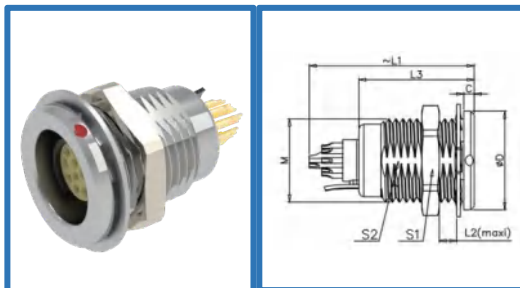
REFERENCE	DIMENSIONS(mm)					
SERIES	L1	L2	L3	D	S1	S2
0F	33	23	25	12	8	13
1F	38	27	31	15	9	16
1.5F	39	29	33	17	12	18
2F	45	32	37	19	12	20
3F	53	38	45	23	15	24

**SOG Fixed Socket, nut fixing, (back panel mounting), IP68**



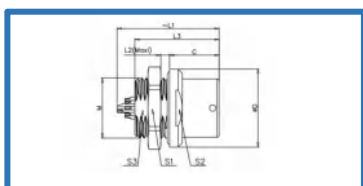
REFERENCE	DIMENSIONS(mm)						PANEL HOLES
SERIES	L1	L2	L3	M	D	C	
0F	~22.0	~3.5	17.0	9x0.5	14.0	6.5	SW 8.3/φ9.1
1F	~26.0	~4.0	21.0	14x1	18.0	8.0	SW 12.1/φ14.1
1.5F	~24.0	~3.0	19.5	14x1	19.0	7.0	SW 12.1/φ14.1
2F	~28.0	~3.0	23.0	16x1	21.0	8.0	SW 14.4/φ16.1
3F	~30.0	~6.0	26.5	20x1	26.0	11.0	SW 18.2/φ20.1

**SGG Fixed Socket, nut fixing, Grounding optional**



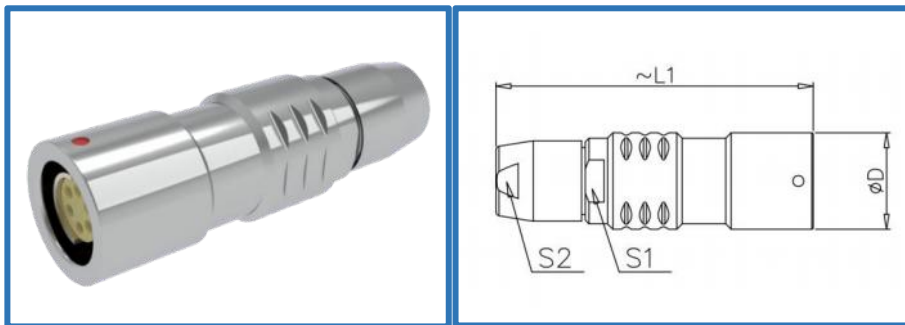
REFERENCE	DIMENSIONS(mm)								PANEL HOLES
SERIES	L1	L2	L3	M	D	S1	S2	C	
0F	~19.5	~9.0	14.5	9x0.5	10.0	11.0	8.0	1.5	SW 8.3/φ9.1
1F	~24.0	~8.0	16.5	12x1	14.0	14.0	10.0	1.5	SW 10.1/φ12.1
2F	~27.5	~10.0	18.5	15x1	18.0	17.0	13.5	2.0	SW 13.6/φ15.1
3F	~33.0	~13.0	22.5	18x1	22.0	22.0	16.5	2.0	SW 16.6/φ18.1

**SDG Fixed Socket, nut fixing, ( back panel mounting )**



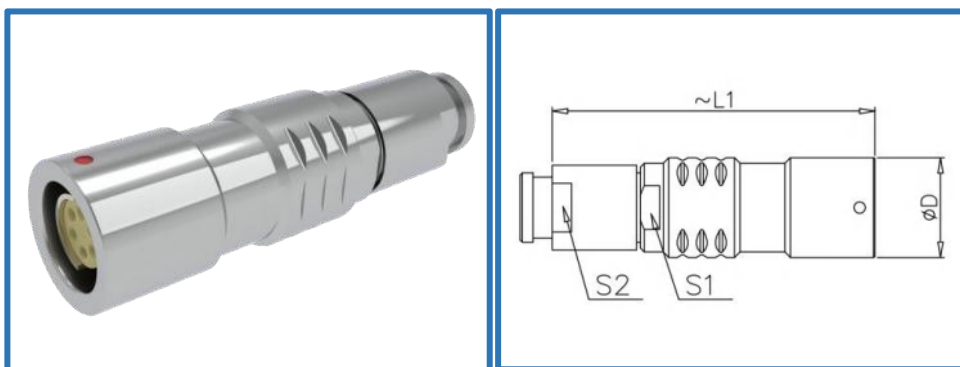
REFERENCE	DIMENSIONS(mm)									PANEL HOLES
SERIES	L1	L2	L3	M	D	S1	S2	S3	C	
0F	~22.5	~4.5	18.5	9x0.5	14.5	11.0	12.0	8.2	12.0	SW 8.3/φ9.1
1F	~26.0	~4.0	22.5	14x1	18.0	17.0	14.0	12.0	15.5	SW 12.1/φ14.1
2F	~28.0	~5.0	21.6	14x1	19.0	17.0	15.0	12.0	13.6	SW 12.1/φ14.1
3F	~28.0	~4.5	23.0	16x1	21.0	19.0	17.0	14.0	11.5	SW 14.1/φ16.1

**SHG Free Socket , cable collet , IP50/IP68**



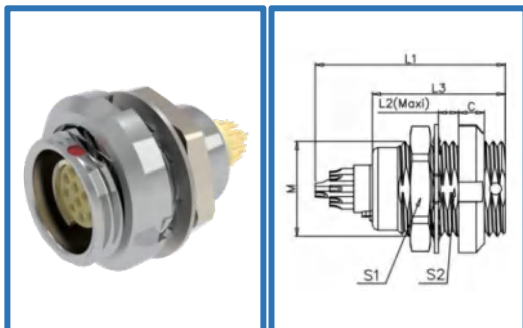
REFERENCE	DIMENSIONS(mm)			
SERIES	L1	D	S1	S2
0F	~35	9.5	8	7
1F	~43	12.0	10	10
2F	~50	15.0	13	12
3F	~56	18.0	16	15

**SHG Free Socket, cable collet and nut for fitting a bend relief, IP50/IP68**



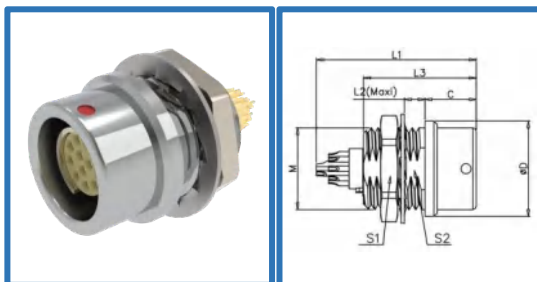
REFERENCE	DIMENSIONS(mm)			
SERIES	L1	D	S1	S2
0F	~37	9.5	8	7
1F	~45	12.0	10	10
2F	~53	15.0	13	12
3F	~58	18.0	16	15

**SCG Fixed Socket with two nut fixing , IP50**



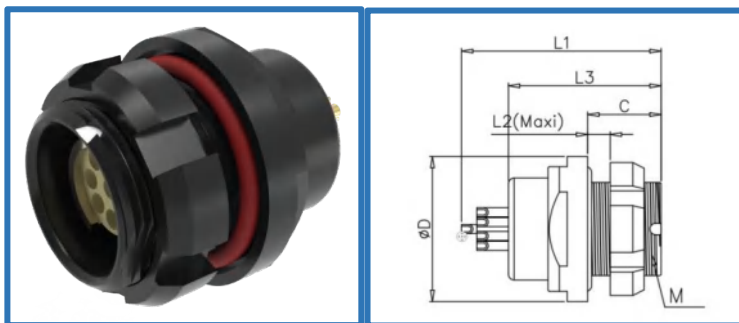
REFERENCE	DIMENSIONS(mm)									PANEL HOLES
SERIES	L1	L2	L3	M	D	S1	S2	C		
0F	~19.0	~8.0	14.5	9x0.5	11.5	11.0	8.0	3.0		
1F	~24.2	~7.0	16.5	12x1	15.0	14.0	10.0	4.0	SW 10.1/φ12.1	
1.5F	~24.0	~6.0	15.5	14x1	18.0	17.0	12.0	4.0	SW 12.1/φ14.1	
2F	~27.5	~9.0	18.5	15x1	19.0	17.0	13.5	4.0	SW 13.6/φ15.1	
3F	~33.0	~11.0	22.5	18x1	23.0	22.0	16.5	5.0	SW 16.6/φ18.1	

**SUG Fixed Socket (back panel mounting) , IP50**



REFERENCE	DIMENSIONS(mm)									PANEL HOLES
SERIES	L1	L2	L3	M	D	S1	S2	C		
0F	~19.3	~3.0	16.0	9x0.5	10.9	11.0	-	10.0		
1F	~24.0	~4.5	17.5	12x1	14.0	14.0	12.0	7.5	SW 10.4/φ12.1	
1.5F	~26.0	~5.0	17.0	14x1	18.0	17.0	15.0	9.0	SW 12.1/φ14.1	
2F	~26.0	~6.0	19.5	16x1	19.0	19.0	17.0	11.0	SW 13.6/φ16.1	

**SLG Fixed Socket with vacuumtight, nut fixing, IP68**



REFERENCE	DIMENSIONS(mm)					
SERIES	L1	L2	L3	M	D	C
0F	17.5	3.5	14	9x0.5	13	6.5

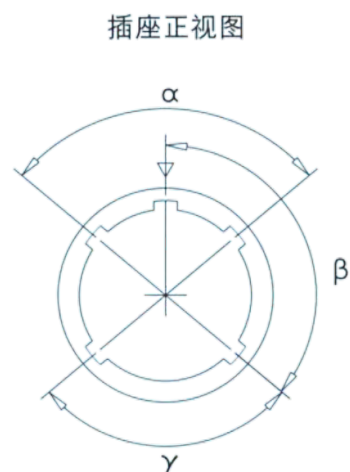
## METAL TYPE :

## SHELL PART NO :

CODE	SHELL & COLLET NUT		LATCH SLEEVE+EARTHING		OTHERS	
	MATERIAL	SURFACE TREATMENT	MATERIAL	SURFACE TREATMENT	MATERIAL	SURFACE TREATMENT
C	BRASS	PEARL CHROME	BRONZE/BRASS	NICKEL	BRASS	NICKEL
N	BRASS	NICKEL	BRONZE/BRASS	NICKEL	BRASS	NICKEL
K	BRASS	BLACKCHROME	BRONZE/BRASS	NICKEL	BRASS	NICKEL
S	STAINLESS STEEL	-	BRONZE/BRASS	NICKEL	BRASS	NICKEL
T	STAINLESS STEEL	-	STAINLESS STEEL	NICKEL	BRASS	NICKEL
U	STAINLESS STEEL	-	STAINLESS STEEL	NICKEL	STAINLESS STEEL	NICKEL
L	ALUMINIUM ALLOY	ANODIZE	BRONZE/BRASS	NICKEL	BRASS	NICKEL
X	ALUMINIUM ALLOY	BLACK NICKEL	BRONZE/BRASS	NICKEL	BRASS	NICKEL

## KEY:

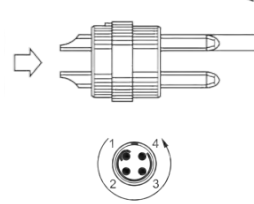
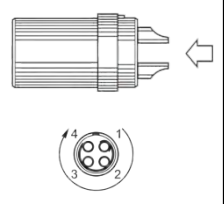




























CODE	NUMBER	ANGLE	SERIES		
			00B	0B	1B
G	1	-	0°	0°	0°
A	2	α	30°	30°	30°
B	2		60°	60°	60°
C	2		-	90°	90°
D	2	β	-	135°	135°
E	2		-	145°	145°
F	2		-	155°	155°
J	2	γ	45°	45°	45°



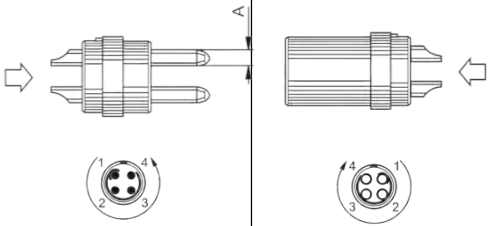
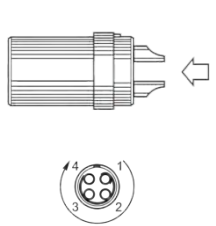
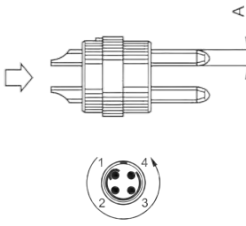
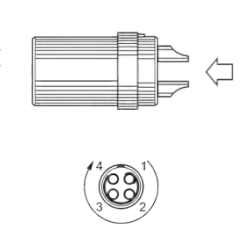
























CODE	NUMBER	ANGLE	SERIES				
			2B	3B	0K	1K	2K
G	1	-	0°	0°	0°	0°	0°
A	2	$\alpha$	30°	30°	30°	30°	30°
B	2		45°	45°	45°	45°	45°
C	2		60°	60°	60°	60°	60°
D	2	$\gamma$	95°	95°	95°	95°	95°
E	2	$\beta$	120°	120°	120°	120°	120°
F	2		145°	145°	145°	145°	145°
J	2	$\gamma$	70°	70°	75°	75°	75°

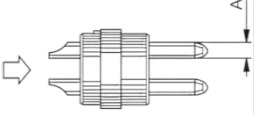
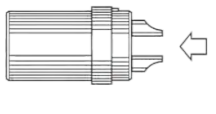




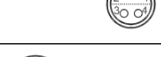













**NEEDLE CORE CONFIGURATION:**

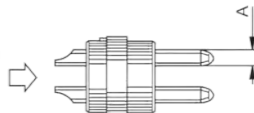
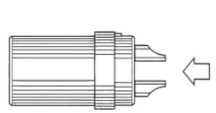








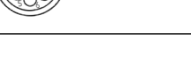
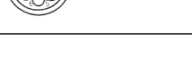


Series			Reference	Pins	Contact $\phi$ (m m)	PINS TYPE			SOLDER PINS		Working voltage(V)	Rated current(A)	Contact resistance (m $\Omega$ )
	Solder	Print (straight)				Print (elbow)	Test voltage (kV 1) rms Contact-contac	Test voltage (kV 1) rms Contact-shell					
00			302	2	0.5				1	0.95	330	5	10
			303	3	0.5				0.8	0.95	260	3	10
			304	4	0.5				0.8	0.65	260	2	10
0B 0K 0C 0T			302	2	0.9				1.3	1.05	430	10	6
			303	3	0.9				1.2	0.9	400	8	6
			304	4	0.7				0.85	0.7	280	7	7.5
			305	5	0.7				1	0.7	280	6.5	7.5
			306	6	0.5				0.85	0.65	280	2.5	10
			307	7	0.5				0.8	0.7	260	2.5	10
			309	9	0.5			ç	0.6	0.5	200	2	10
1B 1K 1C 1T			302	2	1.3				1.5	1.35	500	15	5
			303	3	1.3				1.3	1.55	430	12	5
			304	4	0.9				1.35	1.45	430	10	6
			305	5	0.9				1.25	1.15	415	9	6
			306	6	0.7				1.05	1.2	350	7	7.5
			307	7	0.7				0.95	1.05	315	7	7.5
			308	8	0.7				0.95	1.15	315	315	7.5
			312	12	0.5				0.9	1.5	300	300	10
			314	14	0.5				0.8	1.2	280	280	10
			316	16	0.5			ç	0.8	1.25	260	260	10

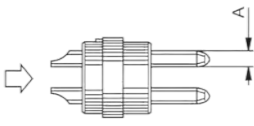
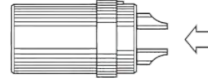
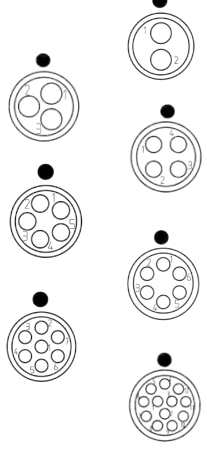
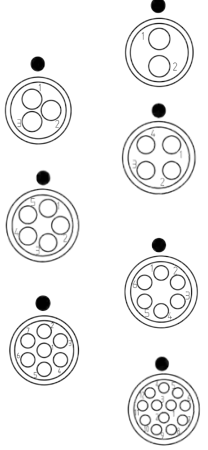
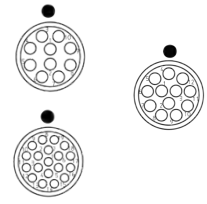
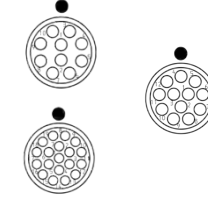
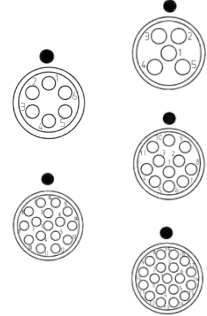
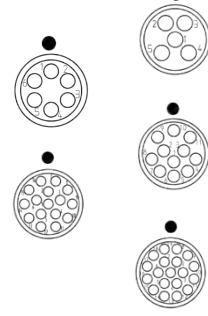
Series	MALE	FEMALE	Reference	Pins	Contact $\phi$ (m m)	PINS TYPE			SOLDER PINS		Working voltage(V)	Rated current(A)	Contact resistance (m $\Omega$ )
						Solder	Print (straight)	Print (elbow)	Test voltage (kV 1) rms Contact-contac	Test voltage (kV 1) rms Contact-shell			
2B 2K 2C 2T			302	2	2				2.1	1.75	700	30	3
			303	3	1.6				2.4	1.85	800	17	4
			304	4	1.3				1.85	1.85	610	15	5
			305	5	1.3				1.75	1.6	580	14	5
			306	6	1.3				1.35	1.45	450	12	5
			307	7	1.3				1.75	1.6	580	11	5
			308	8	0.9				1.5	1.25	500	10	6
			310	10	0.9				1.45	1.3	500	8	6
			312	12	0.7				1.25	1.35	480	7	7.5
			314	14	0.7				1.15	1.35	380	6.5	7.5
			316	16	0.7				0.95	1.25	315	6	7.5
			318	18	0.7				0.85	1.2	280	5.5	7.5
			319	19	0.7				0.95	1.25	280	5	7.5
			326	26	0.5			ç	0.95	1.3	315	2	10

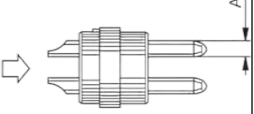
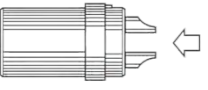
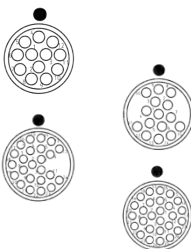
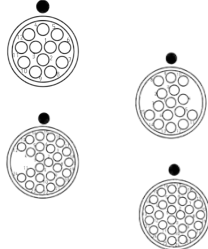








Series	MALE	FEMALE	Reference	Pins	Contact $\phi$ (m m)	PINS TYPE			SOLDER PINS		Working voltage(V)	Rated current(A)	Contact resistance (m $\Omega$ )
						Solder	Print (straight)	Print (elbow)	Test voltage (kV 1) rms Contact-contac	Test voltage (kV 1) rms Contact-shell			
3B 3K 3C 3T			302	2	3	I	C	-	2.1	1.55	700	35	2
			303	3	2	I	I	C	1.9	1.5	625	25	3
			304	4	2	I	I	C	1.45	1.25	475	19	3
			305	5	1.6	I	I	C	1.9	1.25	625	19	4
			306	6	1.6	I	I	C	0.6	1.15	545	17	4
			307	7	1.6	I	I	C	1.7	1.25	565	15	4
			308	8	1.3	I	I	I	1.65	1.15	550	13	5
			309	9	1.3	I	I	-	1.35	1.05	450	6	5
			310	10	1.3	I	I	C	1.35	1.05	450	15	5
			312	12	1.3	I	I	I	1.25	0.9	415	12	5
			314	14	0.9	I	I	I	1.45	1	395	9	6
			316	16	0.9	I	I	I	1.2	1.2	395	9	6
			318	18	0.9	I	I	I	1.2	0.85	395	8	6

Series	MALE	FEMALE	Reference	Pins	Contact $\phi$ (m m)	PINS TYPE			SOLDER PINS			Working voltage(V)	Rated current(A)	Contact resistance (m $\Omega$ )
						Solder	Print (straight)	Print (elbow)	Test voltage (kV 1) rms Contact-contac	Test voltage (kV 1) rms Contact-shell				
0S			302	2	0.9	I	I	I	1.5	2.1	500	10	6	
			303	3	0.7	I	I	I	1	1.5	330	7	7	
			304	4	0.7	I	I	I	1	1.5	330	7	7	
1S			302	2	1.3	I	I	I	1.2	1.8	400	15	5	
			303	3	0.9	I	I	I	1.2	1.8	400	10	6	
			304	4	0.9	I	I	I	1.2	1.8	400	10	6	
			305	2	0.9	I	I	I	1.5	2.1	500	10	6	
				3	0.7	I	I	I	1.5	2.1	500	7	7.5	
			306	6	0.7	I	I	I	1.5	2.1	500	7	7.5	

Series	MALE	FEMALE	Reference	Pins	Contact $\phi$ (m m)	PINS TYPE			SOLDER PINS		Working voltage(V)	Rated current(A)	Contact resistance (m $\Omega$ )
						Solder	Print (straight)	Print (elbow)	Test voltage (kV 1) rms Contact-contac	Test voltage (kV 1) rms Contact-shell			
0F			302	2	0.9	I	I	ç	1.3	1.05	430	0.5	6
			303	3	0.9	I	I	ç	1.2	0.9	400	0.4	6
			304	4	0.7	I	I	I	0.85	0.7	280	0.3	7.5
			305	5	0.7	I	I	I	0.85	0.7	280	0.366	7.5
			307	7	0.5	I	I	I	0.8	0.7	260	0.3	10
			309	9	0.5	I	I	I	0.6	0.5	200	2	10

Series	MALE	FEMALE	Reference	Pins	Contact $\phi$ (m m)	PINS TYPE			SOLDER PINS		Working voltage(V)	Rated current(A)	Contact resistance (m $\Omega$ )
						Solder	Print (straight)	Print (elbow)	Test voltage (kV 1) rms Contact-contac	Test voltage (kV 1) rms Contact-shell			
1F			302	2	1.3				1.5	1.35	500	0.55	5
			303	3	1.3				1.3	1.45	430	0.5	5
			304	4	0.9			ç	1.3	1.45	430	0.5	6
			305	5	0.9				1.25	1.15	415	0.45	6
			306	6	0.7			ç	1.05	1.05	350	0.4	7.5
			307	7	0.7				0.95	1.0	315	0.4	7.5
			312	12	0.5				0.9	0.8	300	0.366	10
1.5F			310	10	0.7				1.1	1.25	360	0.4	7.5
			312	12	0.7				1.05	1.15	350	0.4	7.5
			319	19	0.5				0.8	0.75	260	0.333	10
2F			305	5	1.3				1.5	1.65	500	0.5	5
			306	6	0.9			ç	1.8	1.65	600	0.6	6
			311	11	0.9				1.3	1.4	430	0.45	6
			316	16	0.7				1.25	1.3	415	0.45	7.5
			319	19	0.7				0.95	1.2	315	0.4	7.5

Series	MALE	FEMALE	Reference	Pins	Contact $\phi$ (m m)	PINS TYPE			SOLDER PINS		Working voltage(V)	Rated current(A)	Contact resistance (m $\Omega$ )
						Solder	Print (straight)	Print (elbow)	Test voltage (kV 1) rms Contact-contac	Test voltage (kV 1) rms Contact-shell			
3F			312	12	1.3	I	I	ç	1.2	1.0	400	0.45	5
			315	15	0.9	I	I	ç	1.2	1.0	400	0.45	6
			324	24	0.7	I	I	ç	0.9	0.75	300	0.33	7.5
			327	27	0.7	I	I	ç	0.85	0.7	300	0.33	7.5

# PLASTIC SERIES

## 1P SERIES

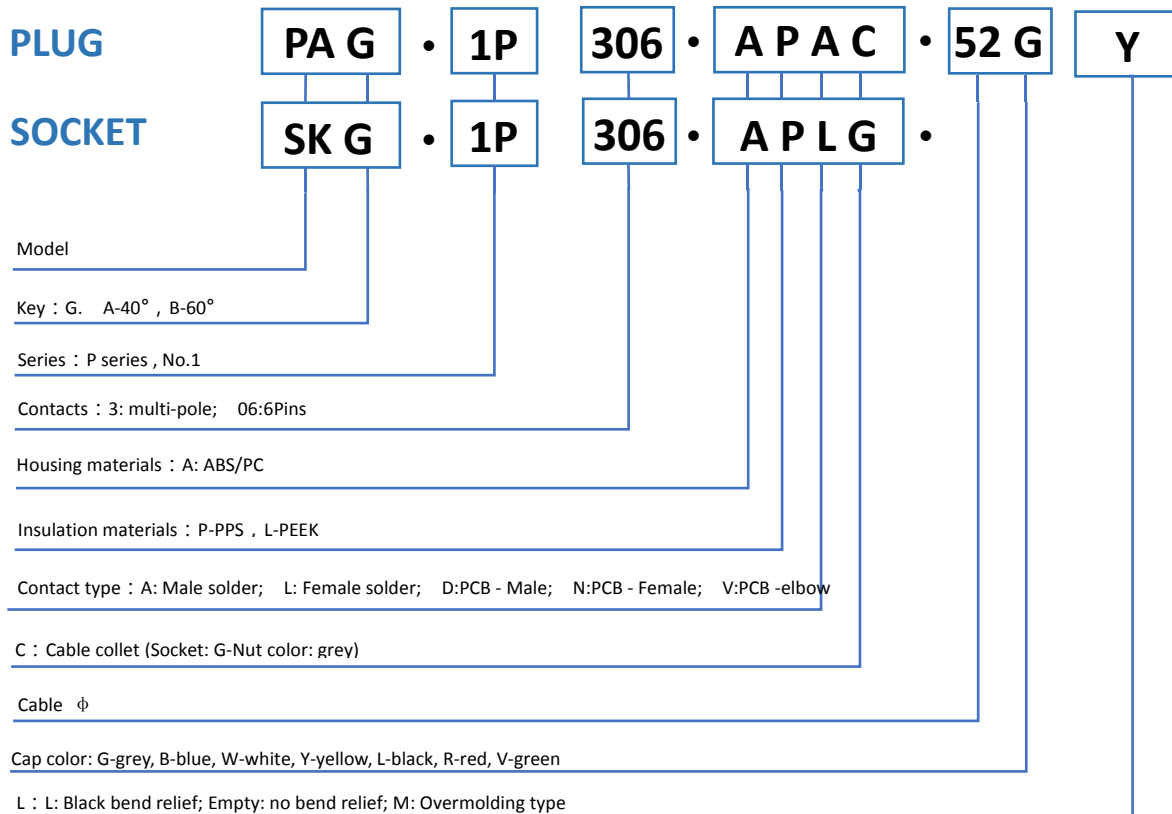
### P series plastic push-pull connectors

- Push-pull self-latching system;
- Multi-pole / 1P: 2~14 contacts, 2P: 3~16 contacts;
- Solder or PCB print contacts;
- High density installation to save space;
- Tinted back nut of plugs and round nut of sockets to avoid mismatching;
- Plastic housing, 2 leaf-springs locking, groove to avoid rotation

### P series Technical characteristic

- Mating cycles : > 2000 times
- Humidity: at 60 °C, max. up to 95%
- Temperature range: -40 ° ~ + 80 °
- Protection class(mated): IP50~IP65

### P series part numbering system



## Example

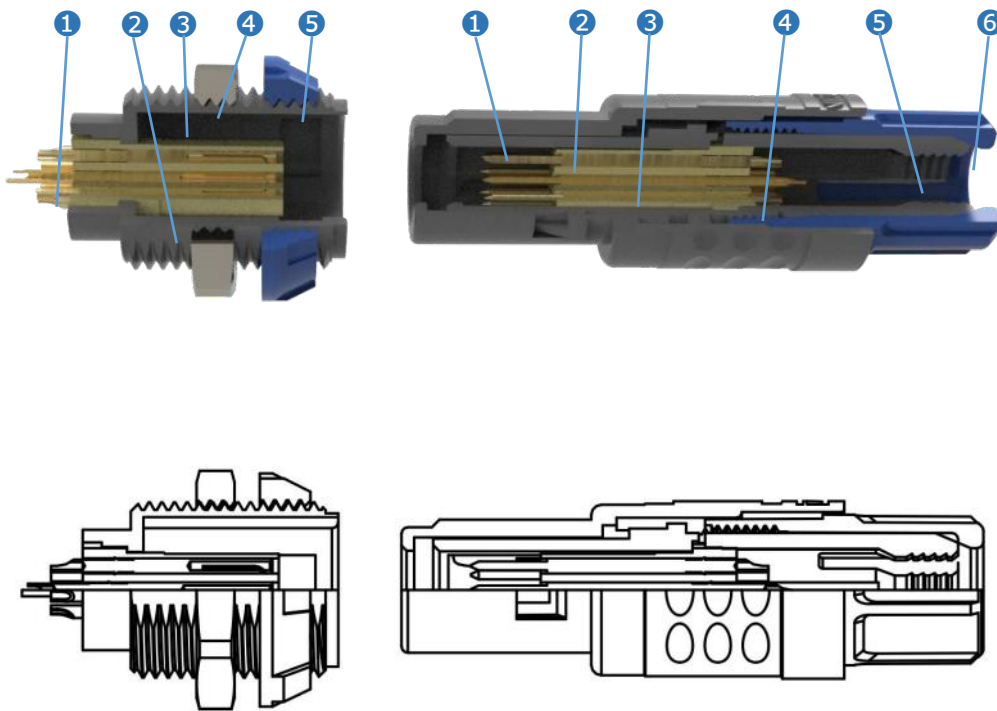
### Straight Plug with cable collet :

PAG.1P306.APAC.52G :Straight plug ,Key( G )with cable collet , 1P series , Multi-pole type , 6Pins , ABS shell and collet nut, PPS insulation, Male solder contacts, C type collet for 5.2 mm diameter cable. Grey color cap.

### Fixed Socket :

SKG.1PF306.APLG :Fixed Socket ,Key( G ) , 1P series , Multi-pole type , 6Pins , ABS shell, PPS insulation, Female solder contacts. Grey color nut.

## Part section showing internal components



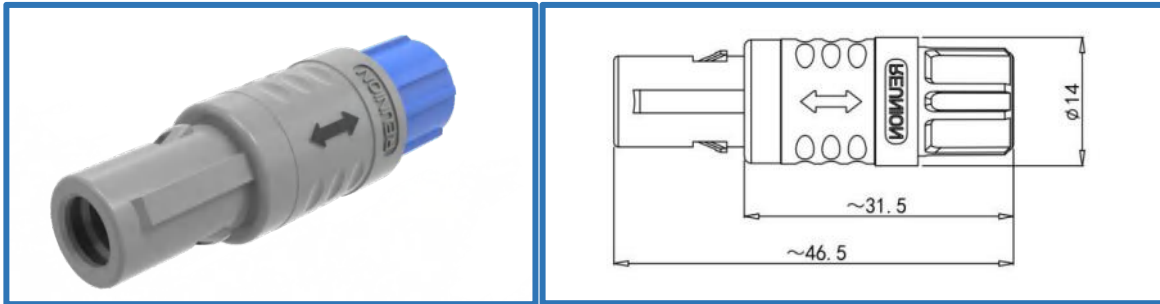
### 1P FIXED SOCKET

- ① 插孔 Female contact
- ② 孔绝缘体 Insulator
- ③ 插座壳体 Outer shell
- ④ 六角螺母 Hexagonal nut
- ⑤ 前螺母 Front nut

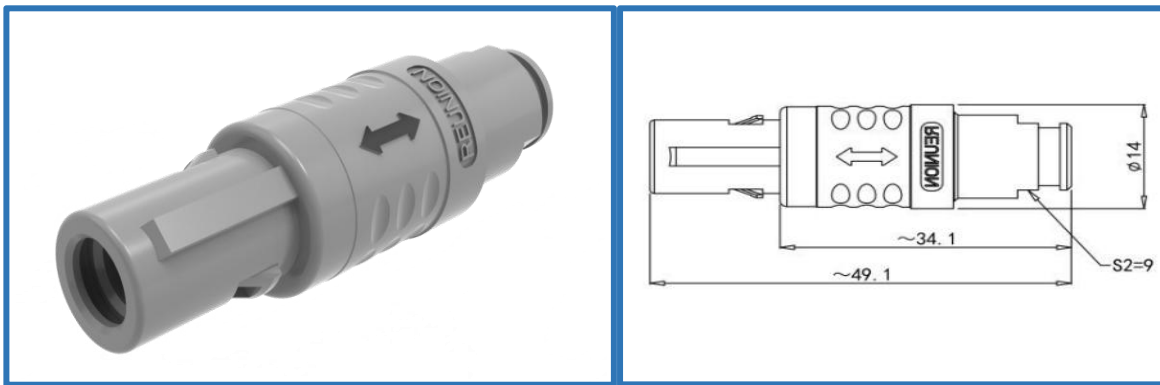
### 1P STRAIGHT PLUG

- ① 插头壳体 Outer shell
- ② 插头内壳 Latch sleeve
- ③ 针绝缘体 Insulator
- ④ 插针 Male contact
- ⑤ 电缆夹 Cable collet
- ⑥ 尾部螺帽 Back nut

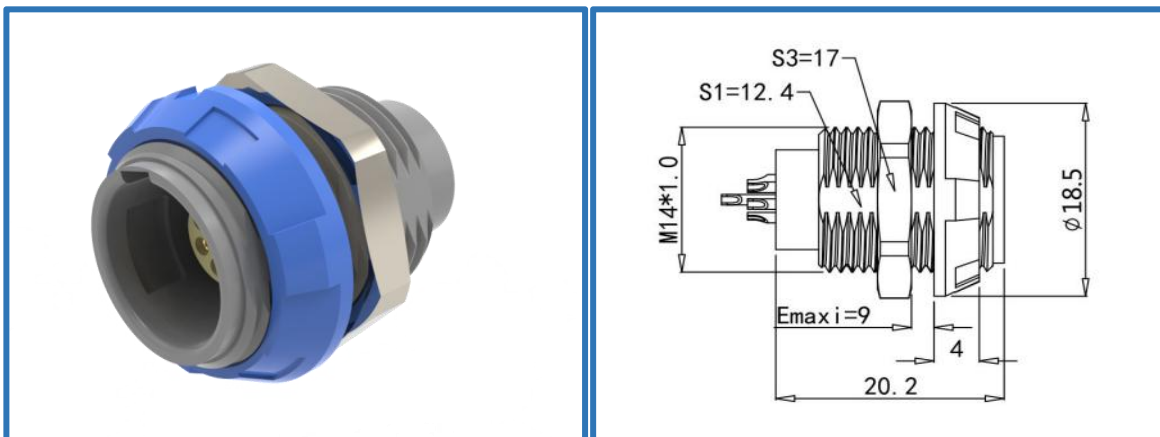
**PAG** Straight Plug, key (G) or keys(A,B,C) with cable collet



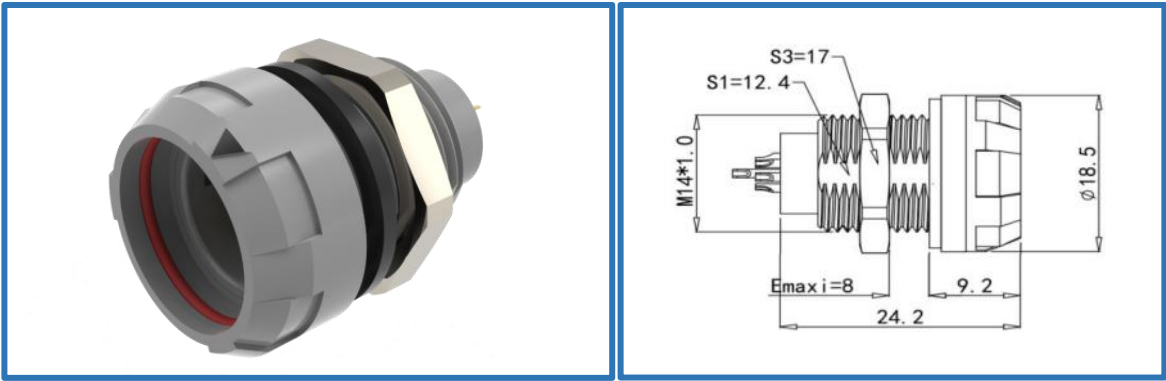
**PFG** Straight Plug , key (G) or keys(A,B,C) with cable collet and nut for fitting a bend relief(IP65)



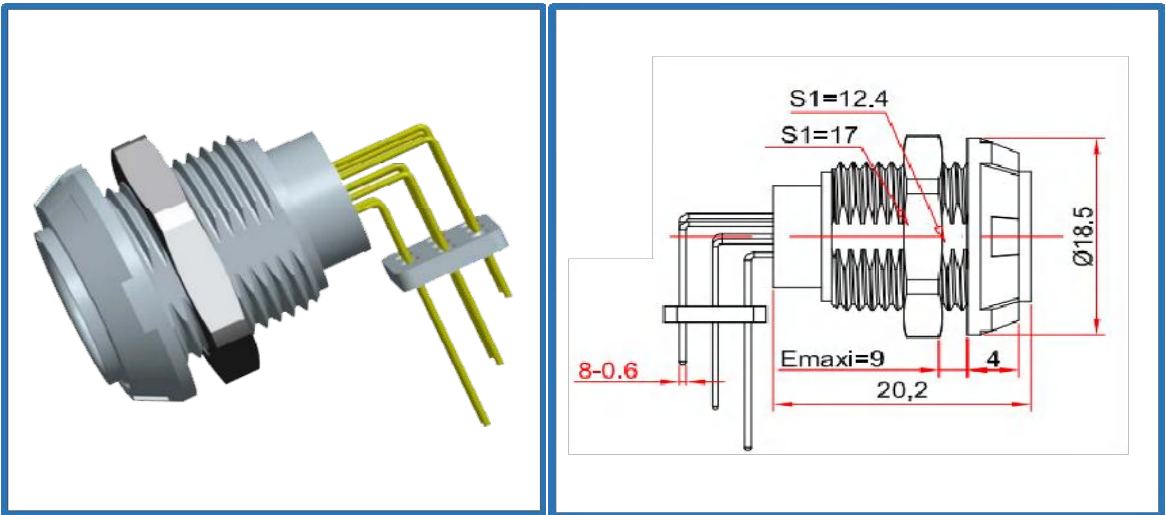
**SKG** Fixed Socket , key (G) or keys(A,B,C), with two nuts



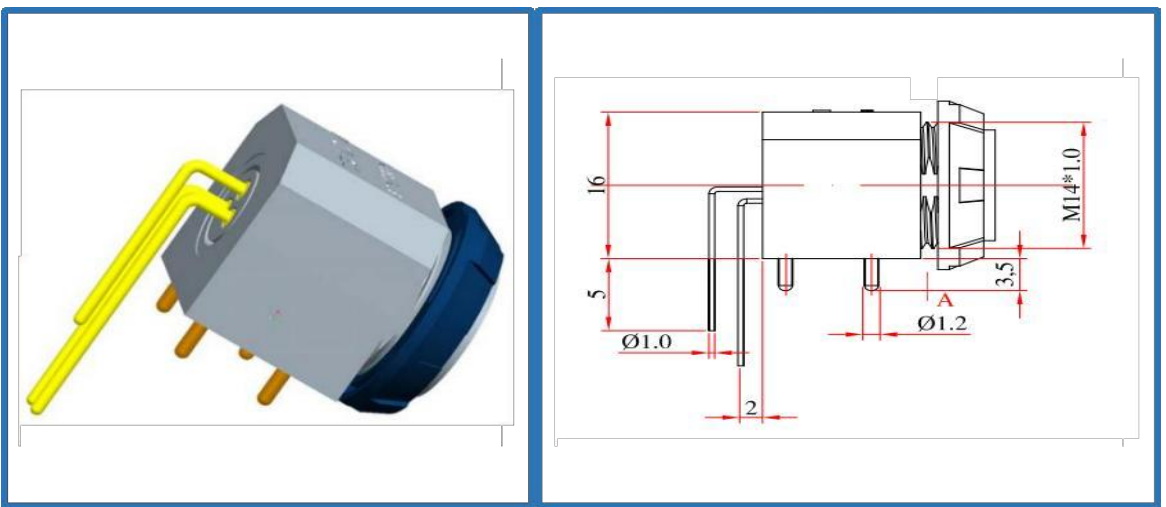
**SNG Fixed Socket, key (G) or keys(A,B,C), nut fixin, IP65**



**SKG Fixed Socket , key (G) or keys(A,B,C),with two nuts , with 90° contacts**



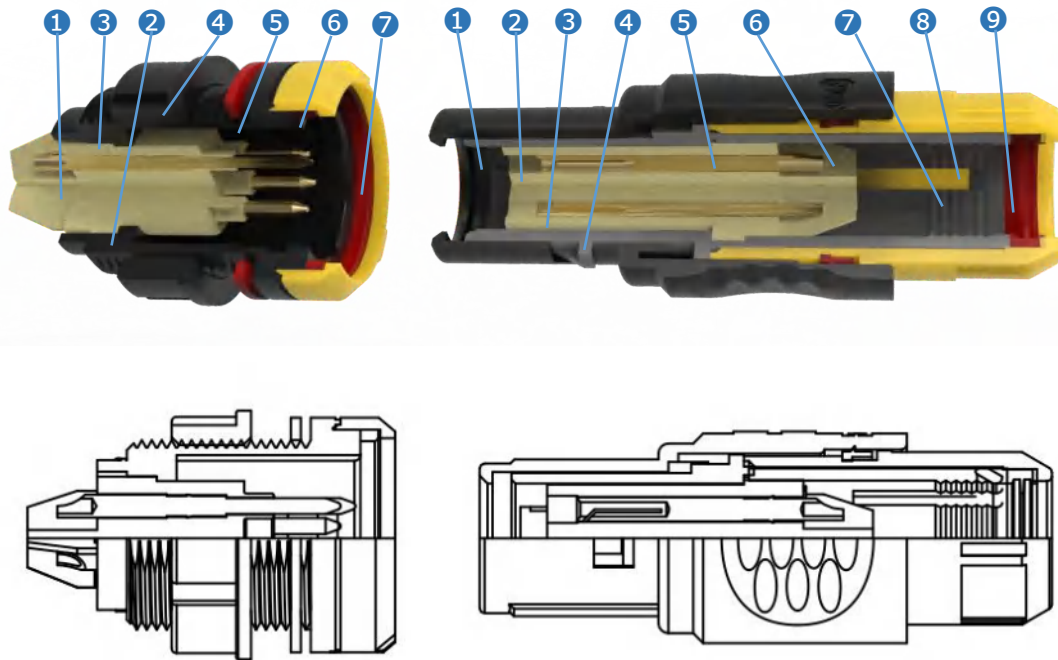
**SBG Fixed Socket , key (G) or keys(A,B,C), nut fixing, PCB type**





## 2P SERIES

### Part section showing internal components



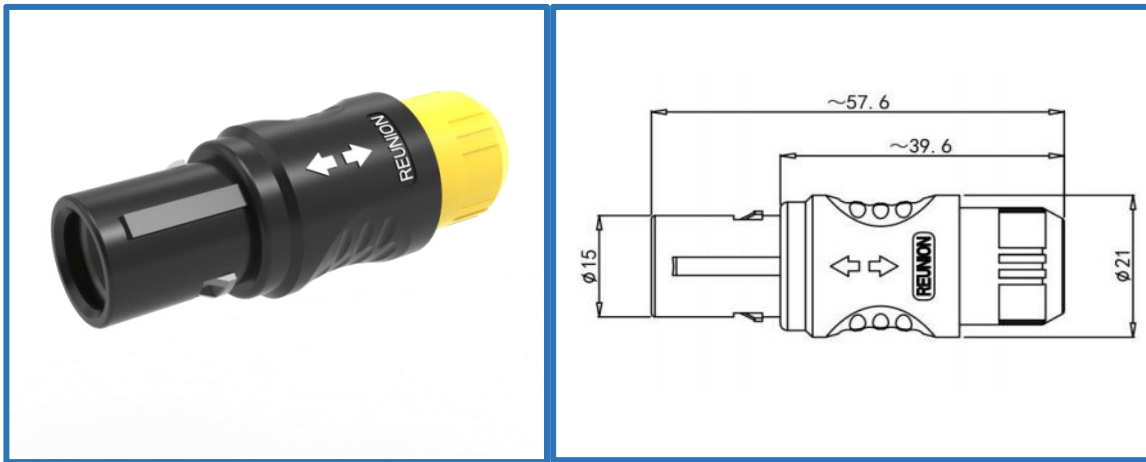
#### 2P FIXED SOCKET

- ① 插针或插孔 Male/Female contacts
- ② 针绝缘体或孔绝缘体 Insulator
- ③ 插座壳体 Shell
- ④ 螺母 Nut
- ⑤ 插座外密封垫 Outer socket gasket
- ⑥ 插座前挡圈 Socket front retaining ring
- ⑦ 插座密封圈 Sealing ring

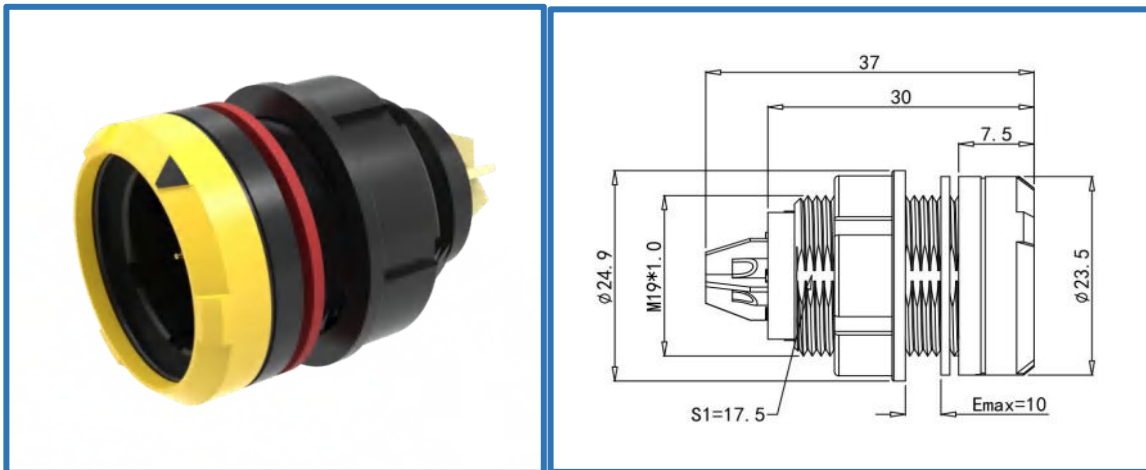
#### 2P STRAIGHT PLUG

- ① 插头外套 Outer shell
- ② 插头内壳 Latch Sleeve
- ③ 针绝缘体或孔绝缘体 Insulator
- ④ 插针或插孔 Male/Female contacts
- ⑤ 尾部螺帽 Cap
- ⑥ O型防水夹 O type waterproof clamp
- ⑦ 电缆夹 Cable collet
- ⑧ 电缆夹压圈 Cable clamp ring
- ⑨ 电缆密封圈 Sealing ring

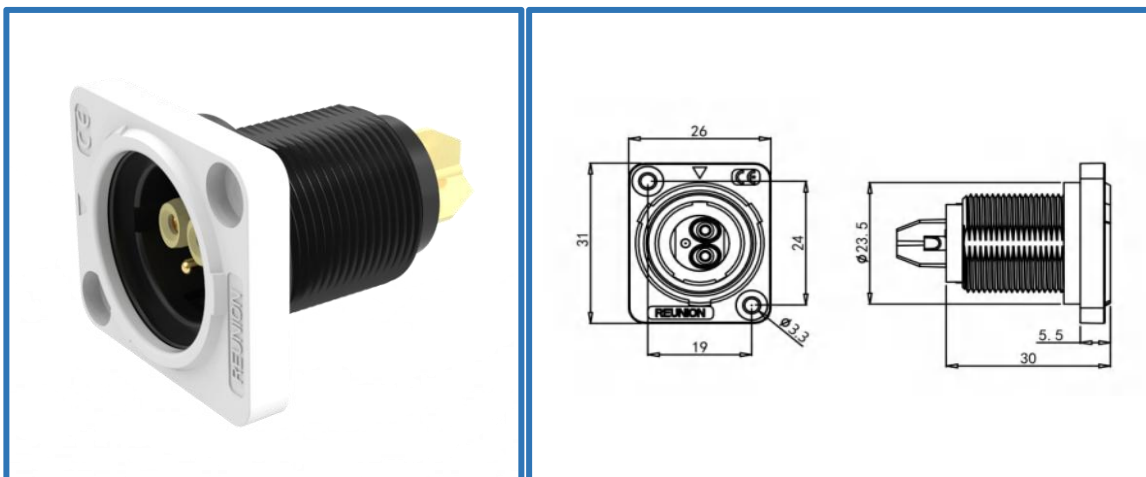
**PYA. 2P Straight Plug , cable collet , key (A、 B) , IP65**



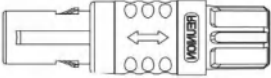




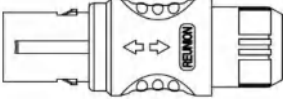




**SNA. 2P Fixed Socket , nut fixing , key (A、 B) , IP65**



**SMA. 2P Fixed Socket with square flange , key (A、 B) , IP65**



## 1P、2P key system

Key System	Example			
1P 	0° 	40° 	60° 	80° 
2P 	— 	40° 	60° 	— 
Key Code	G	A	B	C

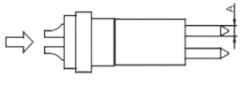
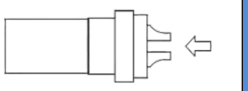
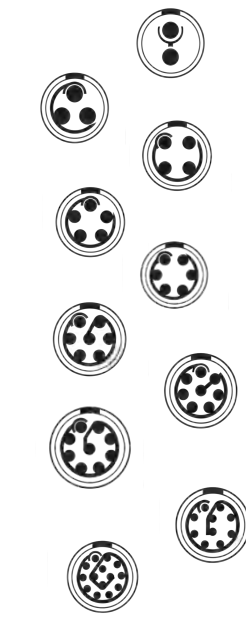
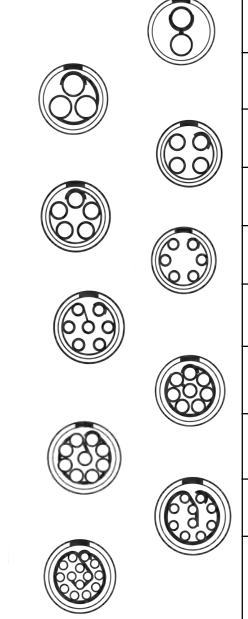
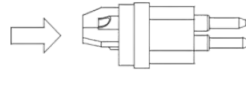
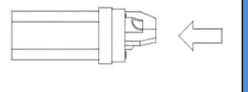
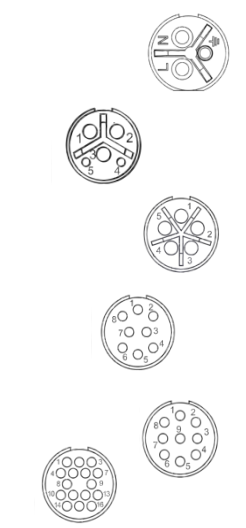
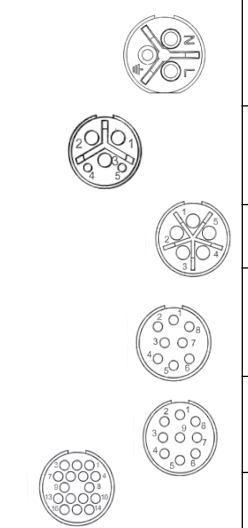
## Cap and nut color type

COLOR	BLUE	WHITE	GREY	YELLOW	BLACK	RED	GREEN
CODE	B	W	G	Y	L	R	V

## Cable collet(code)

	CODE	CABLE DIAMETER
1P series	42	3.5~4.5
	52	4.5~5.5
	62	5.5~6.5
2P series	72	6.0~7.5
	90	7.6~9.5
	11	9.6~12

**NEEDLE CORE CONFIGURATION:**

Series	MALE	FEMALE	Reference	Pins	Contact $\phi$ (m m)	PINS TYPE			SOLDER PINS		Rated current(A)	Contact resistance (m $\Omega$ )
						Solder	Print (straight)	Print (elbow)	Test voltage (kV 1) rms Contact-contac	Working voltage(V)		
1P			302	2	1.3				1.2	400	14	5
			303	3	1.3				1.2	400	14	5
			304	4	0.9				1.2	350	10	6
			305	5	0.9				1.05	350	9	6
			306	6	0.7				1.05	350	7	7.5
			307	7	0.7				1.05	350	7	7.5
			308	8	0.7				1.05	350	5	7.5
			309	9	0.5				0.85	250	2.5	10
			310	10	0.5				0.85	250	2	10
			314	14	0.5				0.6	150	5	10
Series	FEMALE	FEMALE	Reference	Pins	Contact $\phi$ (m m)	PINS TYPE			SOLDER PINS		Rated current(A)	Contact resistance (m $\Omega$ )
						Solder	Print (straight)	Print (elbow)	Test voltage (kV 1) rms Contact-contac	Working voltage(V)		
2P			503	1	1.6			ç	3	1000	16	4
				2	2			ç	3	1000	22	3
			405	2	0.9			ç	1.5	500	9	7.5
				3	2			ç	2.5	800	22	3
			305	5	1.6			ç	2	650	16	4
			308	8	0.9			ç	1.5	500	9	7.5
			309	9	0.9			ç	1.5	500	9	7.5
			316	16	0.9	●	●	○	1.20	300	9	7.5

# 3N SERIES

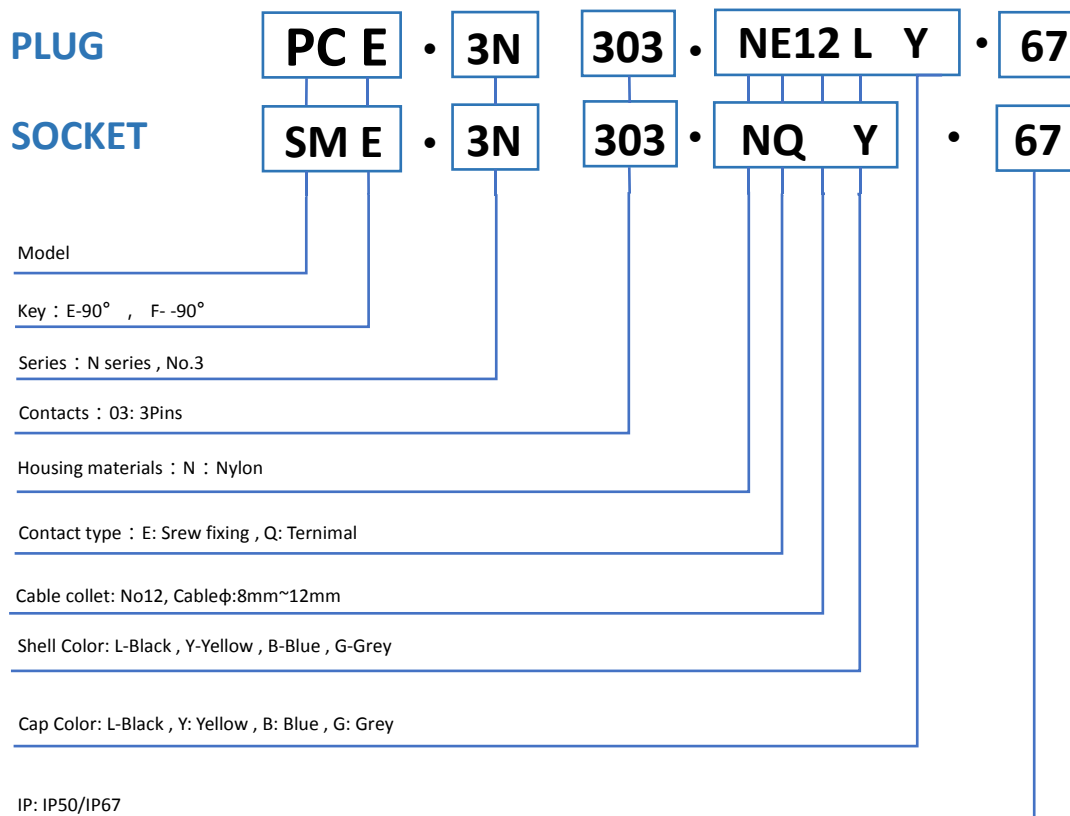
## 3N series POWER connectors

- Push-pull self-locking system;
- Different keys to avoid mismatching;
- Quick and convenient turning locking system;
- Made of nylon fiber, fire rating V0, corrosion resistance;
- Good insulation under high temperature;
- Socket terminal adopts imported beryllium copper of which assure long life and good conductivity;

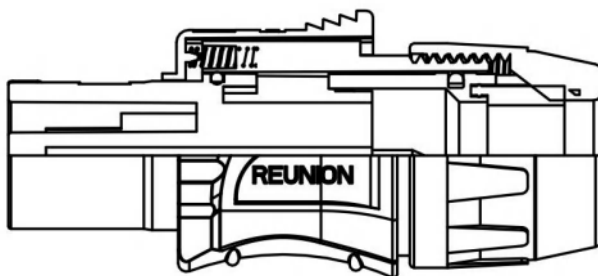
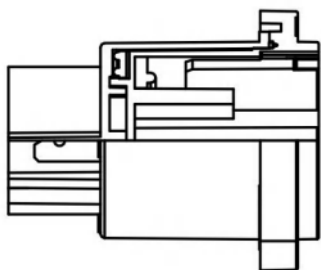
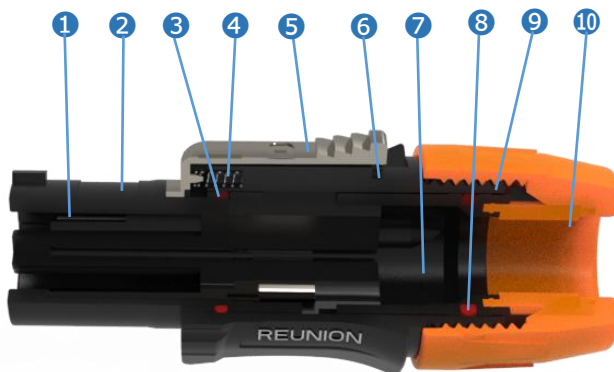
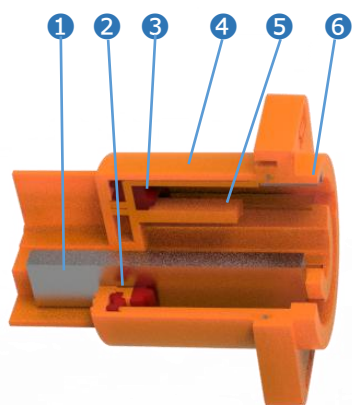
## 3N series Technical characteristic

- Contacts : Terminal
- Vated current : 30A
- Over 2,000 times mating
- Working voltage : 250Vac
- Contact resistance : < 2mΩ
- Working Temp (Min/Max) : -40°C / +125°C
- Salt fog Corrosion:> 48h
- Protection class(mated): IP50/IP67

## 3N Series part numbering system



## Part section showing internal components



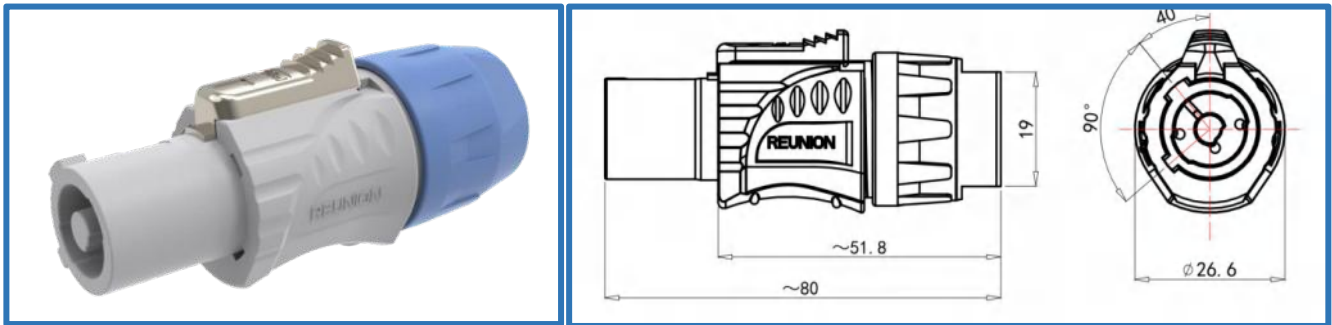
### FIXED SOCKET

- ① 弹片端子 Terminal
- ② 插座防水垫圈 Waterproof washer
- ③ 插座防水圈 Waterproof ring
- ④ 插座外壳 Outer shell
- ⑤ 插座壳体 Shell
- ⑥ 不锈钢片 Stainless steel sheet

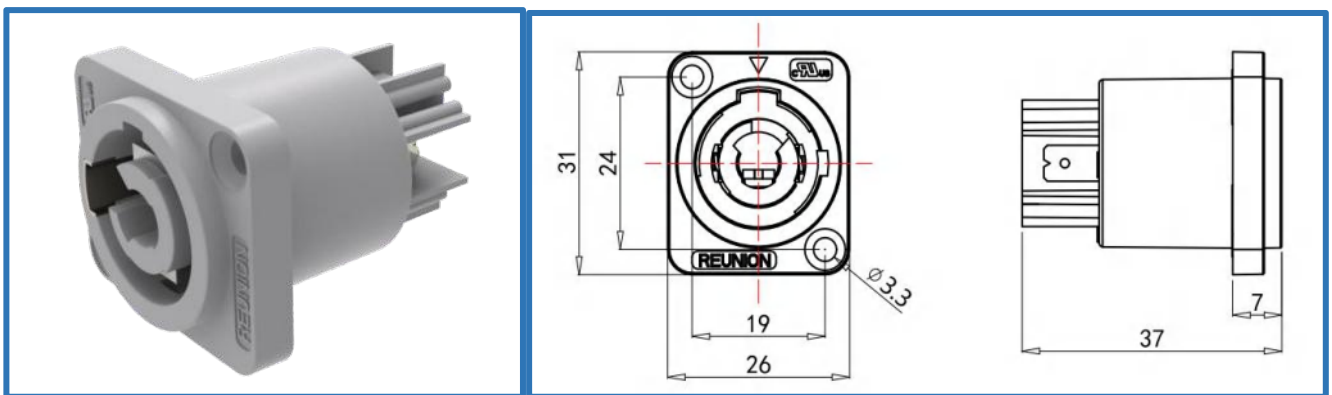
### STRAIGHT PLUG

- ① 插针 Male contacts
- ② 插头壳体 Shell
- ③ 密封圈 Sealing ring
- ④ 弹簧 Spring
- ⑤ 解锁键 Unlock-key
- ⑥ 插头外套 Outer shell
- ⑦ 电缆夹 Cable collet
- ⑧ 电缆夹密封圈 Cable clamp sealing ring
- ⑨ 电线密封圈 Sealing ring
- ⑩ 尾帽 Cap

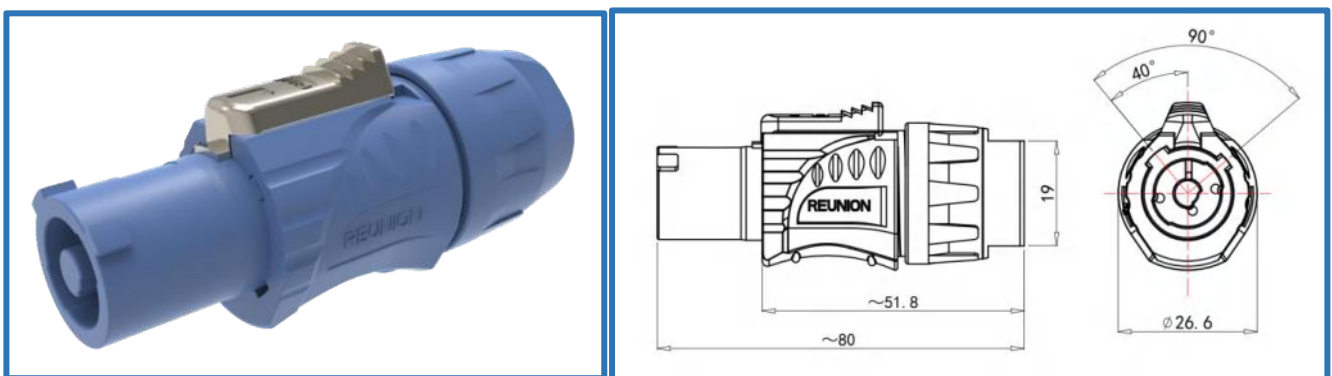
**PCE.3N303.NE12GB.50 Straight Plug , IP50, 90° key**



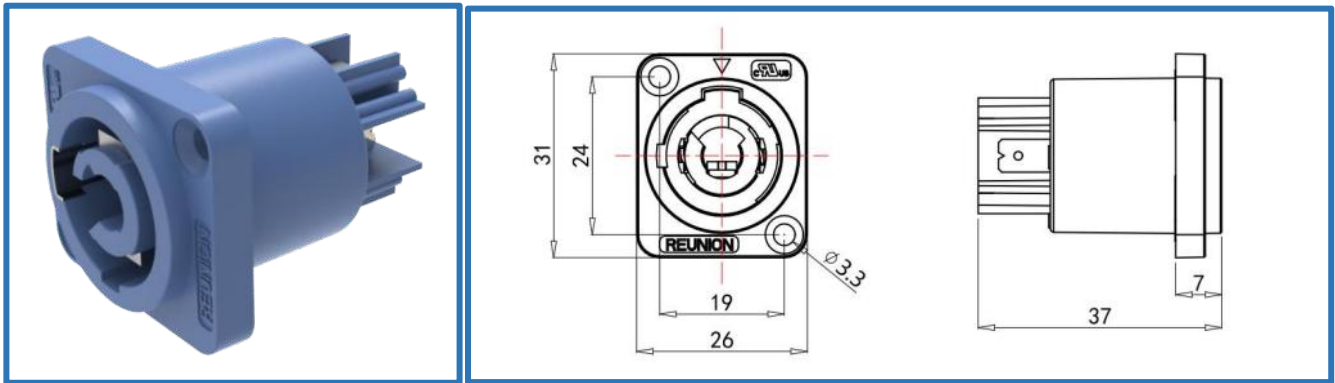
**SME.3N303.NQG.50 Fixed Socket , IP50 , 90° key**



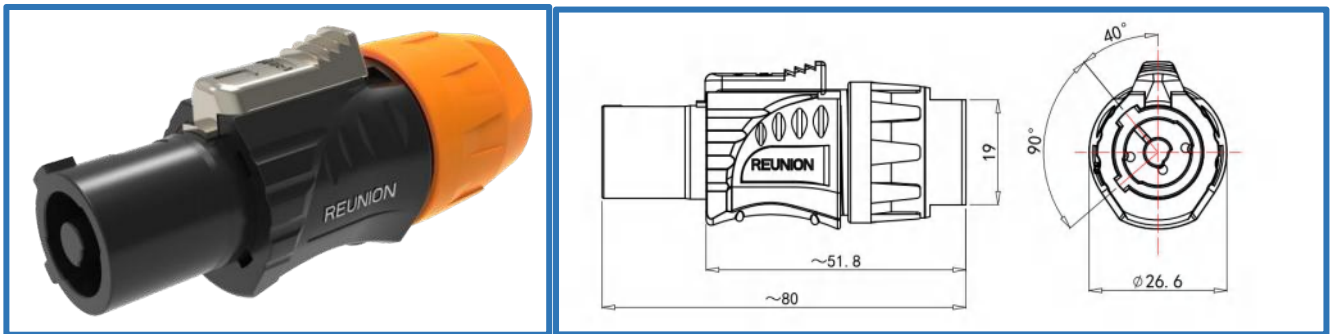
**PCF.3N303.NE12BB.50 Straight Plug , IP50, -90°**



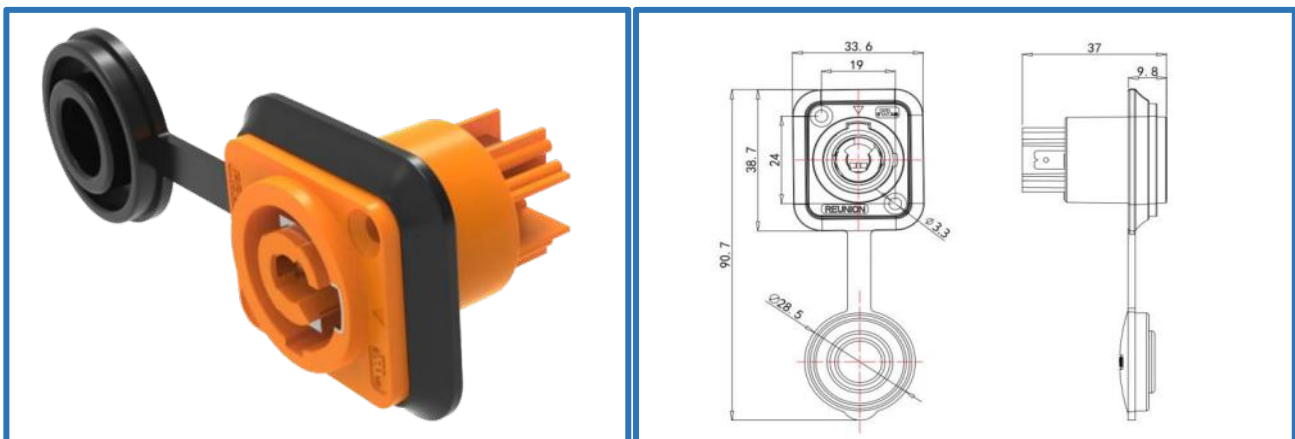
**SMF.3N303.NQB.50 Fixed Socket , IP50 , -90° key**



**PCE.3IM303.NE12LY.67 Straight Plug , IP67, 90° key**

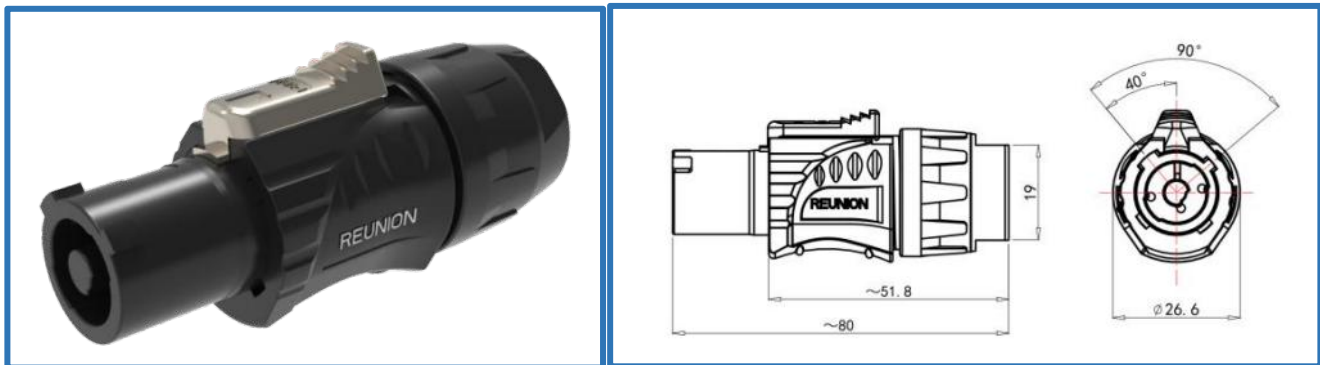


**SME.3N303.NQY.67 Fixed Socket , IP67 , 90° key**

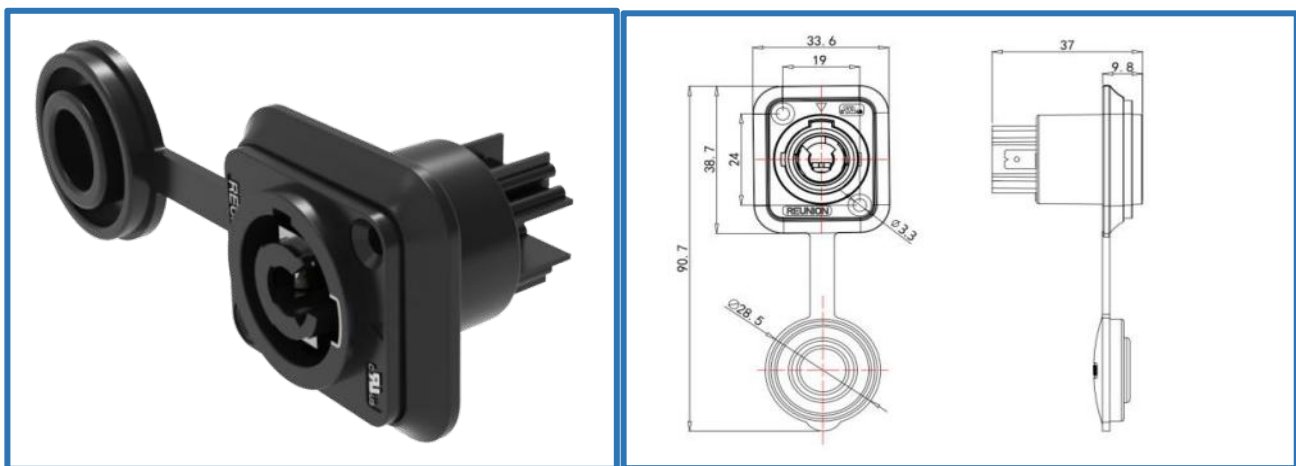




**PCF.3N303.NE12LL.67 Straight Plug , IP67, -90° key**



**SMF.3N303.NQL.67 Fixed Socket , IP67 , -90° key**



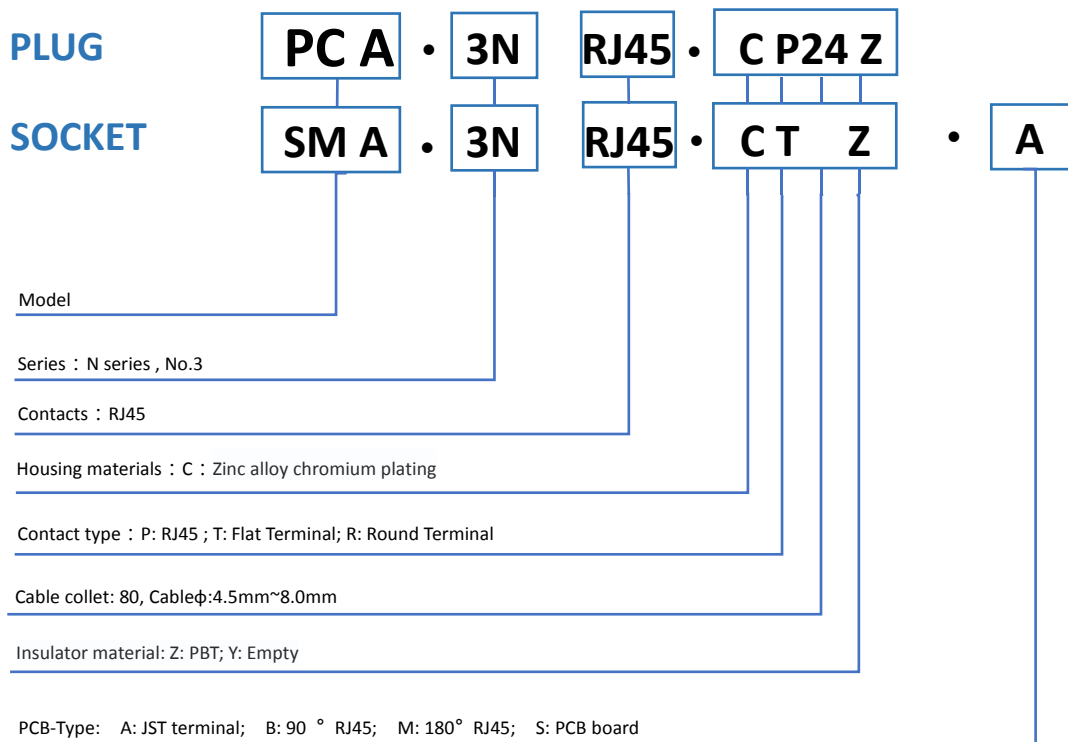
## RJ45 series Signal connectors

- Quick and convenient turning locking system;
- More Endurable contacts;
- More stable signal transmission;
- More comfortable when mating;
- Cylinder contact self-cleaning;
- Easy to lock and unlock;
- Applicable for different registered jack;

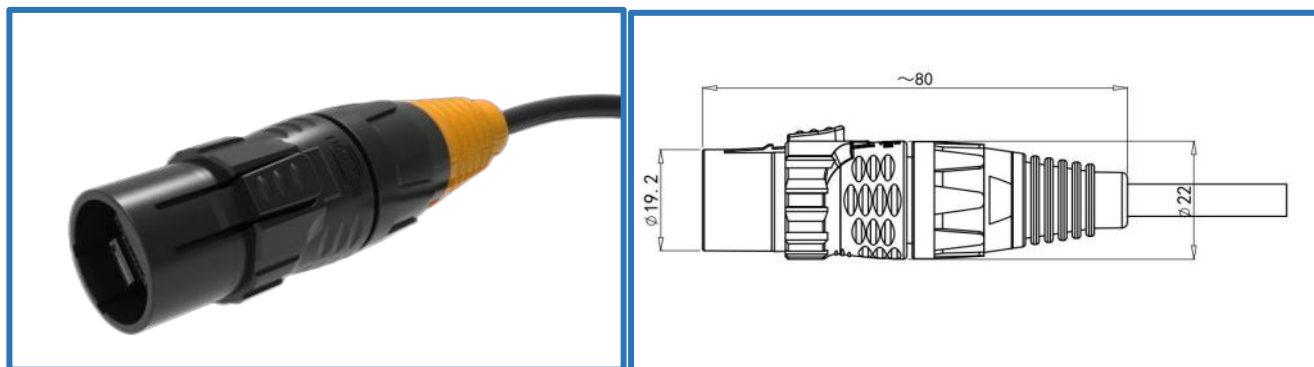
## RJ45 series Technical characteristic

- Contacts : RJ45
- Vated current : 1.5A
- Over 2,000 times mating
- Working voltage : 50V
- Contact resistance : < 10mΩ
- Working Temp (Min/Max) : -40°C / +85°C
- Salt fog Corrosion:> 48h
- Protection class(mated): IP50/IP67

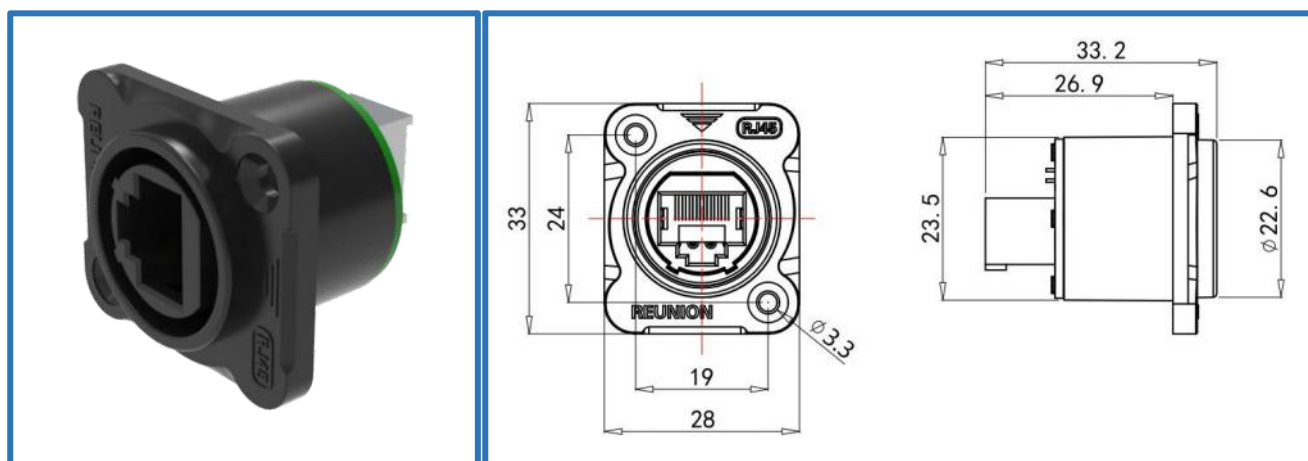
## RJ45 series part numbering system



**PCA.3NRJ45.CP24Z Signal Plug , IP67 waterproof**



**SMA.3NRJ45.CTZ.A Signal Socket , IP67 Waterproof**

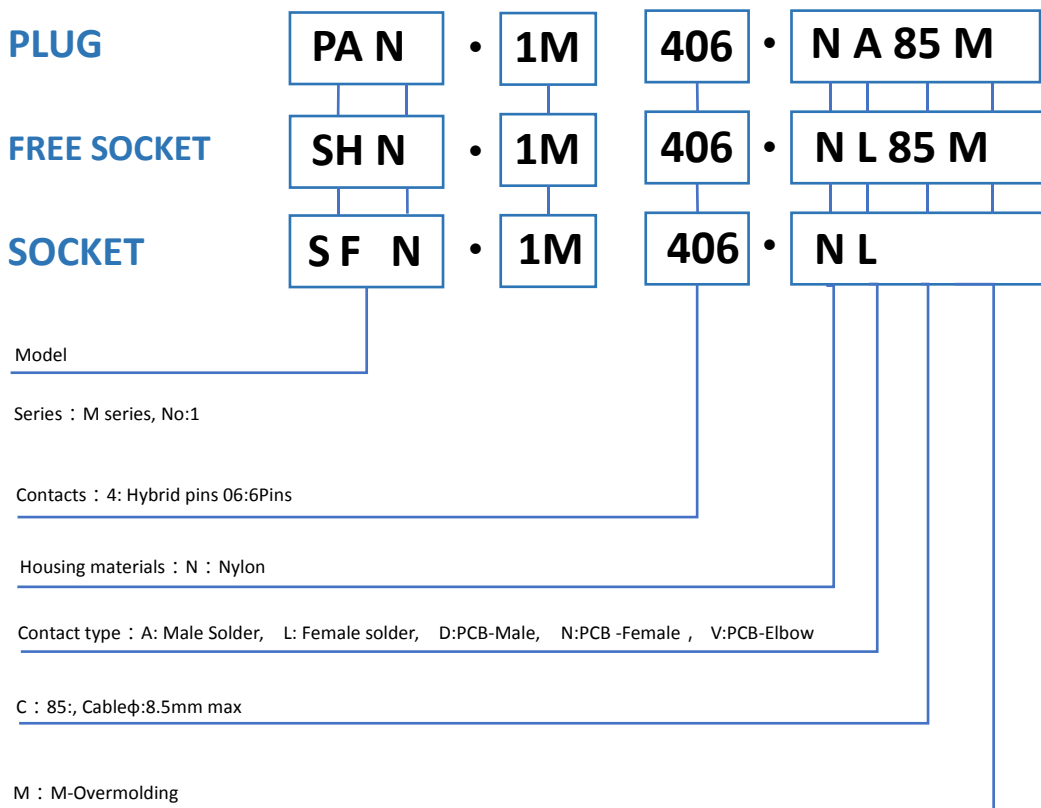


## M SERIES

### M Series Power & Signal connectors

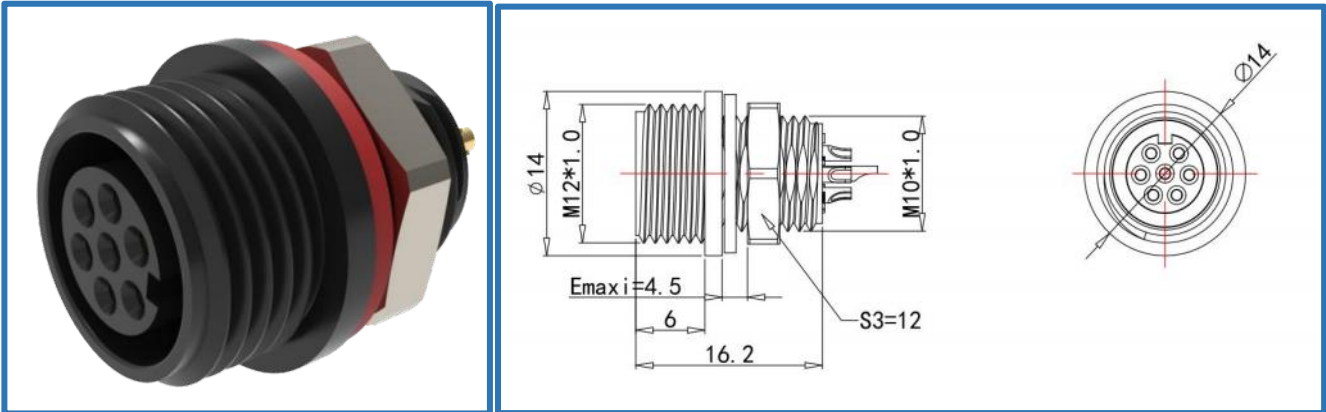
- Safe and reliable connection system;
- Multipole, power and signal output;
- Solder or PCB print contacts;
- Compact design for space saving;
- Plastic shell, IP67 waterproof;

### M series part numbering system

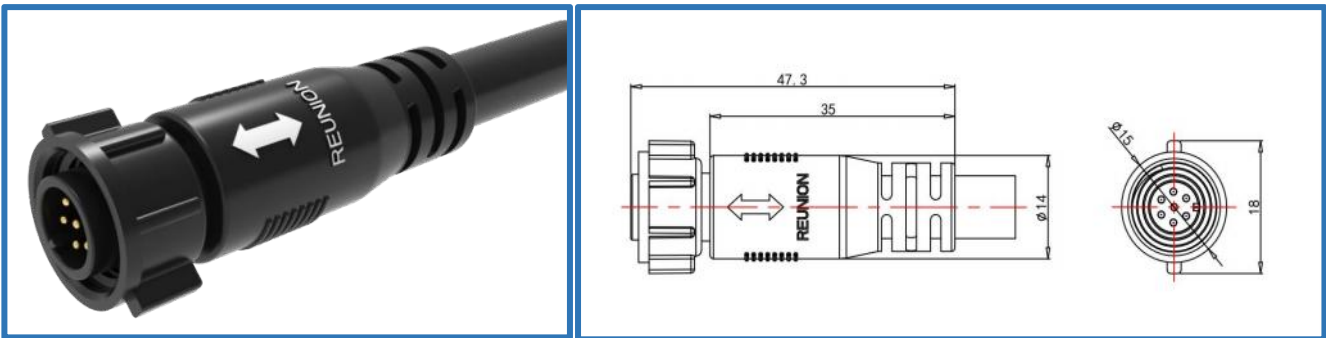


## 1M SERIES

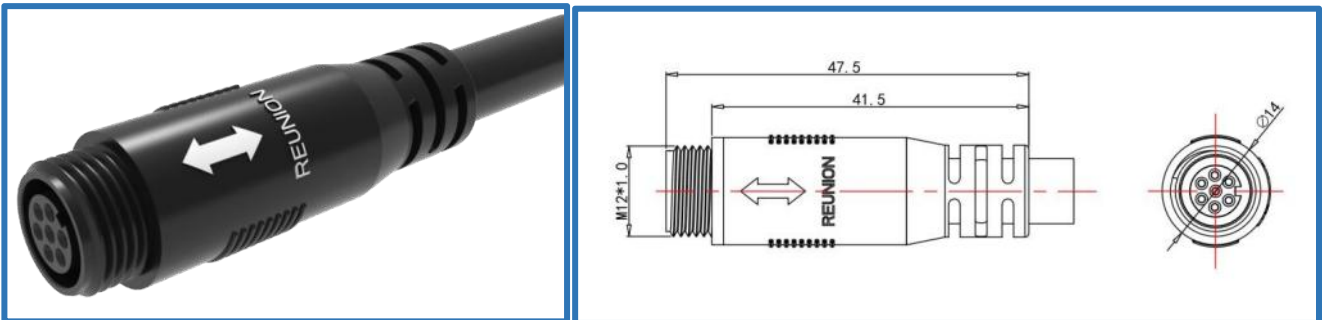
### SFG.1M307.NL : 1M7Pins Fixed Socket



### PAG.1M307.NA : 1M7Pins Straight Plug



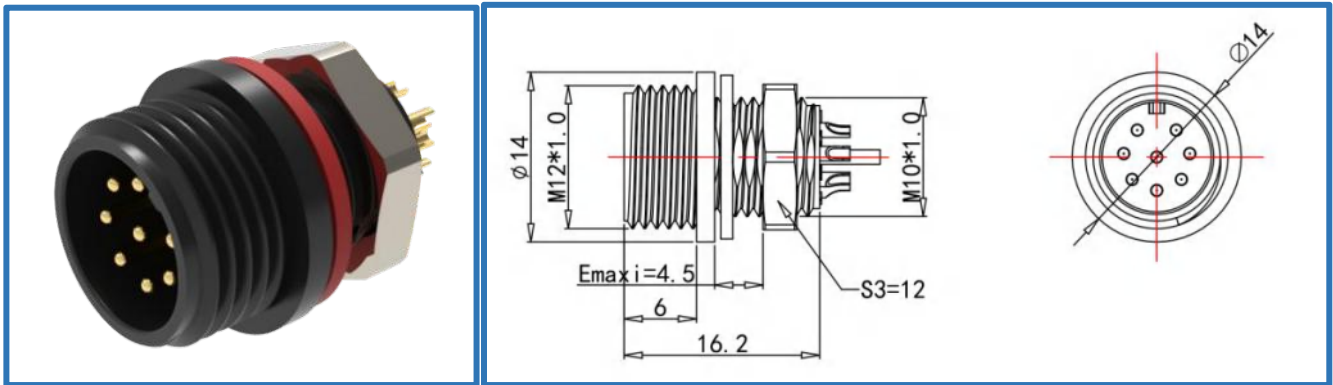
### SHG.1M307.NL : 1M7Pins Free Socket



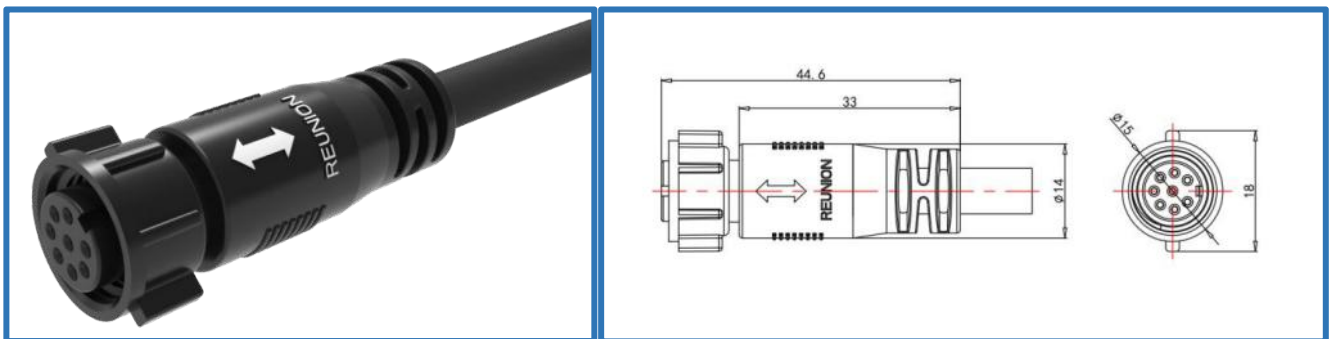
### 7Pins Contacts Configuration

Pins	Contacts OD(mm)	Voltage(Vac)	Current(A)	Contact resistance(mΩ)	Insulation resistance(MΩ)	Mating(times)	Protection Class	Temperature
7	0.9	250	10	6	>1000	>500	IP67	-40~105℃

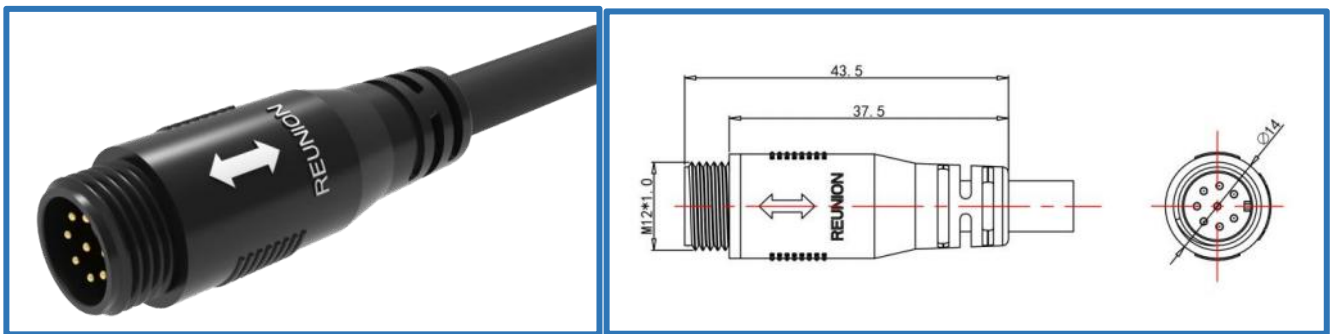
**SFG.1M308.NA : 1M8Pins Fixed Socket**



**PAG.1M308.NL : 1M8Pins Straight Plug**



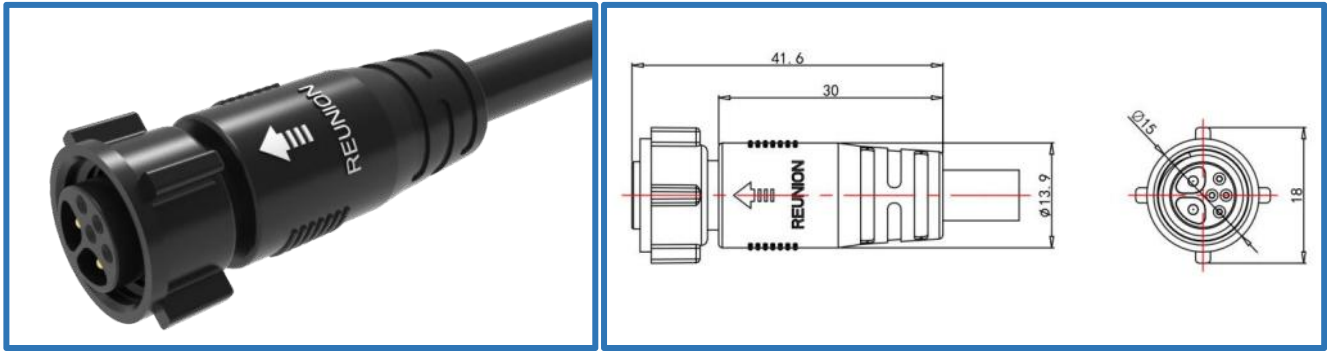
**SHG.1M308.NA : 1M8Pins Free Socket**



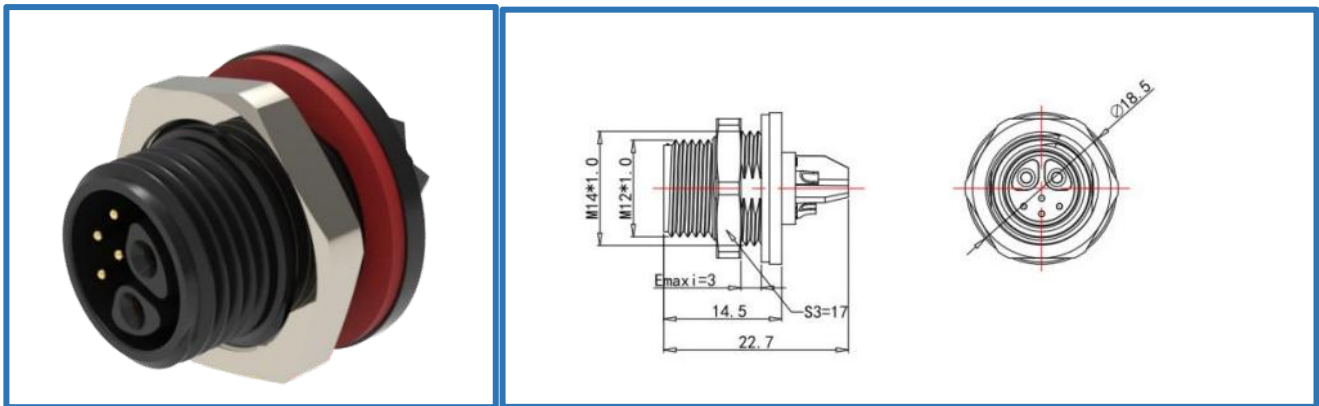
**8Pins Contacts Configuration**

Pins	Contacts OD(mm)	Voltage(Vac)	Current(A)	Contact resistance(mΩ)	Insulation resistance(MΩ)	Mating(times)	Protection Class	Temperature
8	0.9	250	10	6	>1000	>500	IP67	-40~105°C

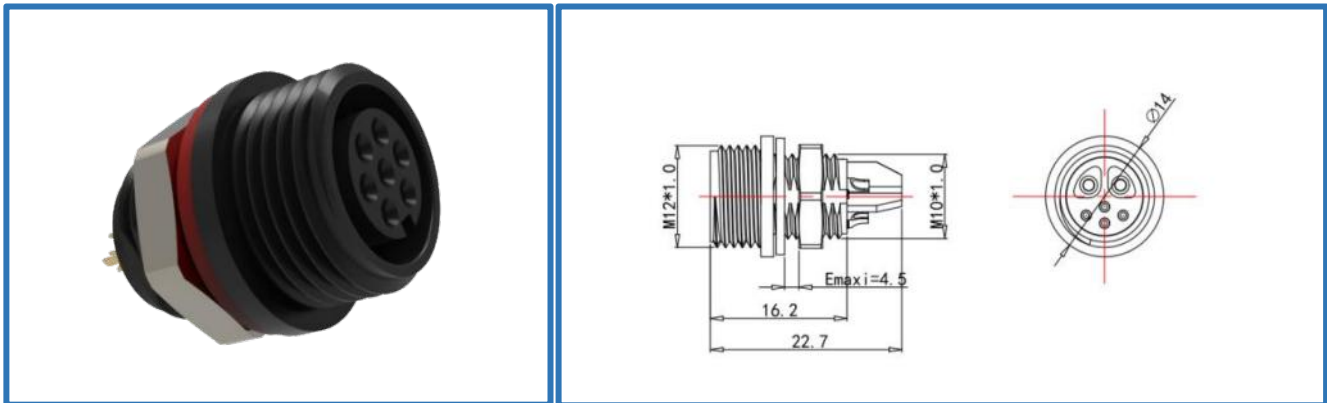
**PAN.1M406.NA : 1M2+4Pins Straight Plug**



**SEN.1M406.NL : 1M2+4Pins Fixed Socket**



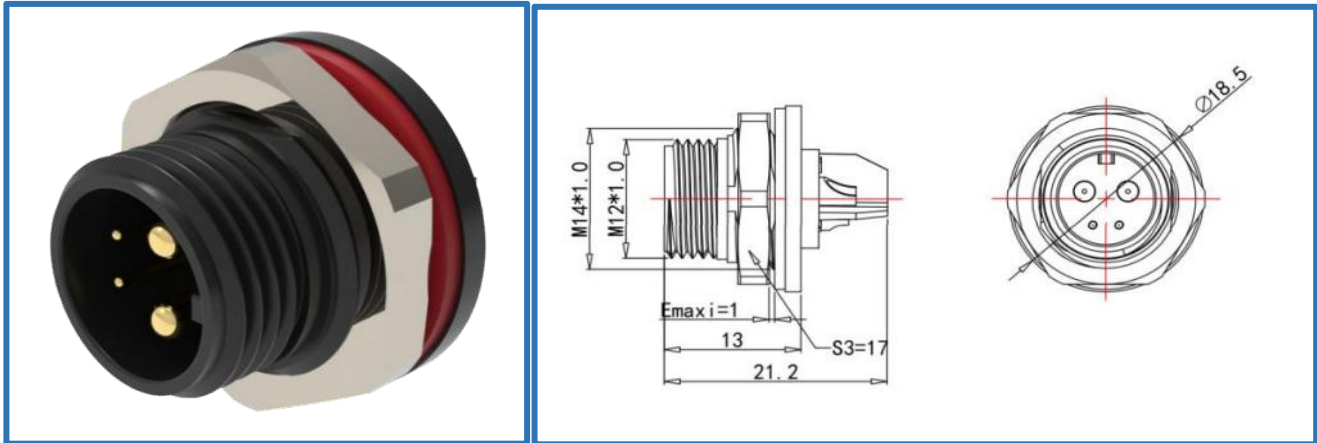
**SHN.1M406.NL : 1M2+4Pins Free Socket**



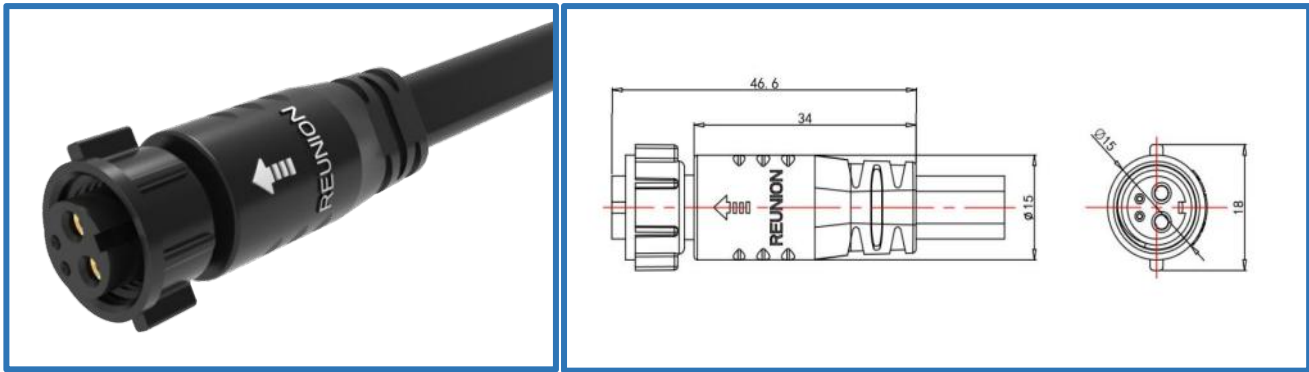
**2+4Pins Contacts Configuration**

Plns	Contacts OD(mm)	Voltage(Vac)	Current(A)	Contact resistance(mΩ)	Insulation resistance(MΩ)	Mating(times)	Protection Class	Temperature
2-power	1.3	500	12	5	>1000	>500	IP67	-40~105℃
4-signal	0.7	50	6	7.5				

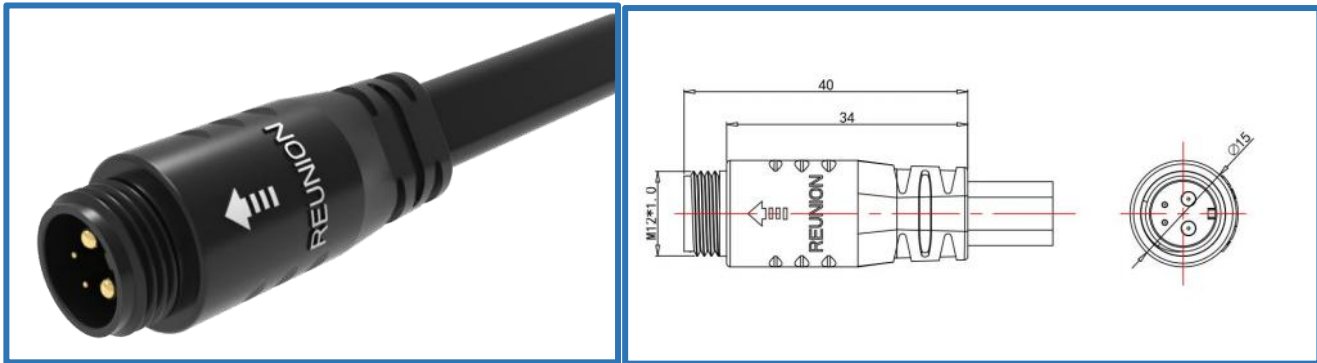
**SCG.1M404.NA : 1M2+2Pins Fixed Socket**



**PCG.1M404.NL : 1M2+2Pins Straight Plug**



**SHC.1M404.NA : 1M2+2Pins Free Socket**

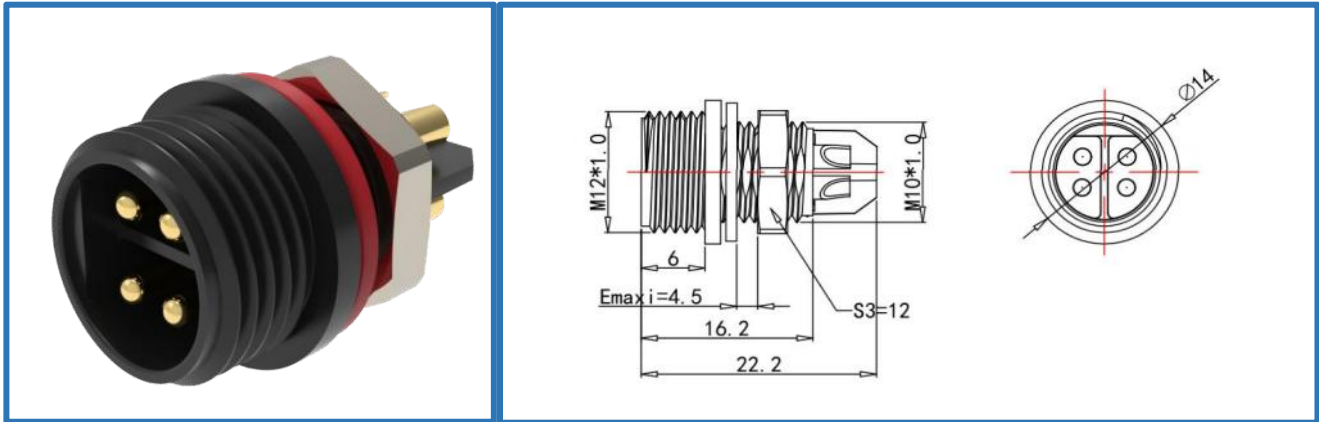


**2+2Pins Contacts Configuration**

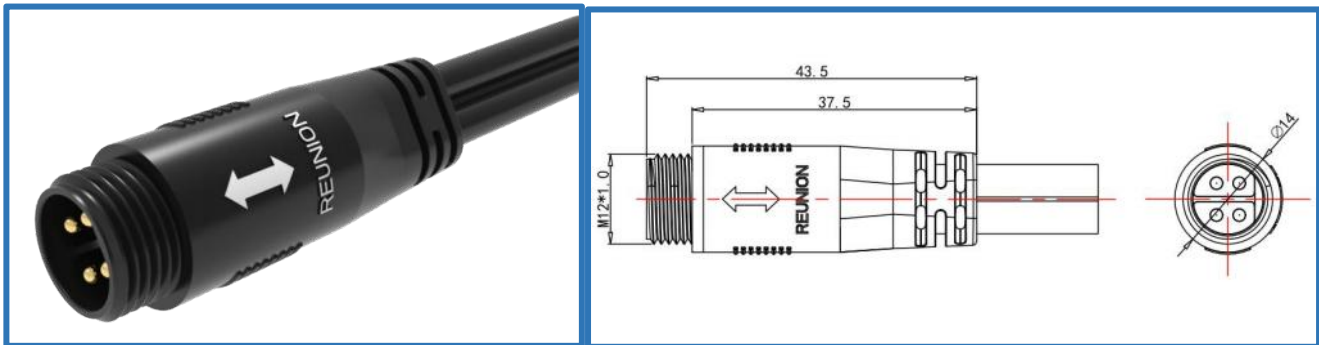
Plns	Contacts OD(mm)	Voltage(Vac)	Current(A)	Contact resistance(mΩ)	Insulation resistance(MΩ)	Mating(times)	Protection Class	Temperature
2-power	1.3	500	20	5	>1000	>500	IP67	-40~105°C
2-signal	0.7	50	6	7.5				



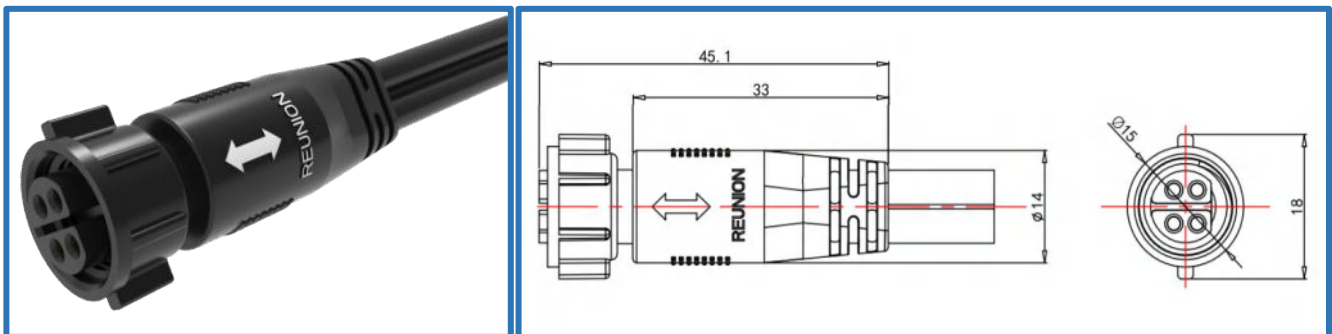
**SFN.1M304.NA : 1M4Pins Fixed Socket**



**SHN.1M304.NA : 1M4Pins Free Socket**



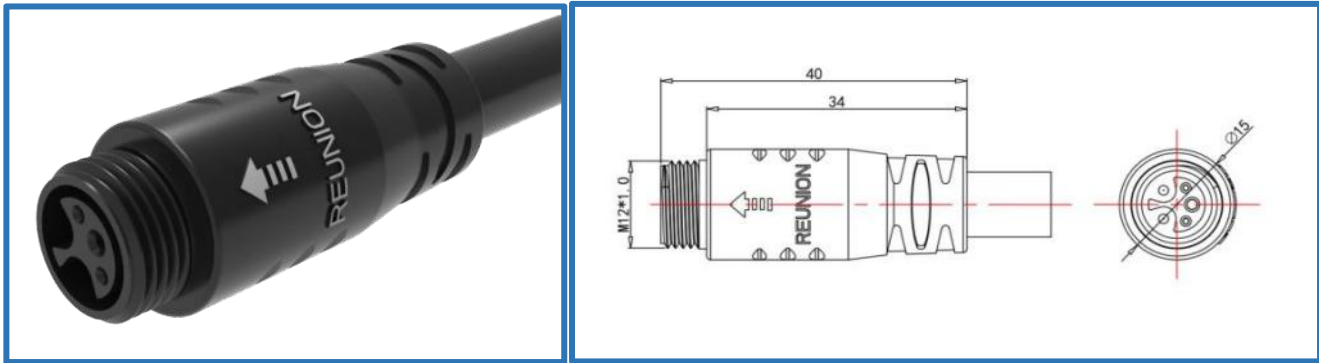
**PAN.1M304.NL : 1M4Pins Straight Plug**



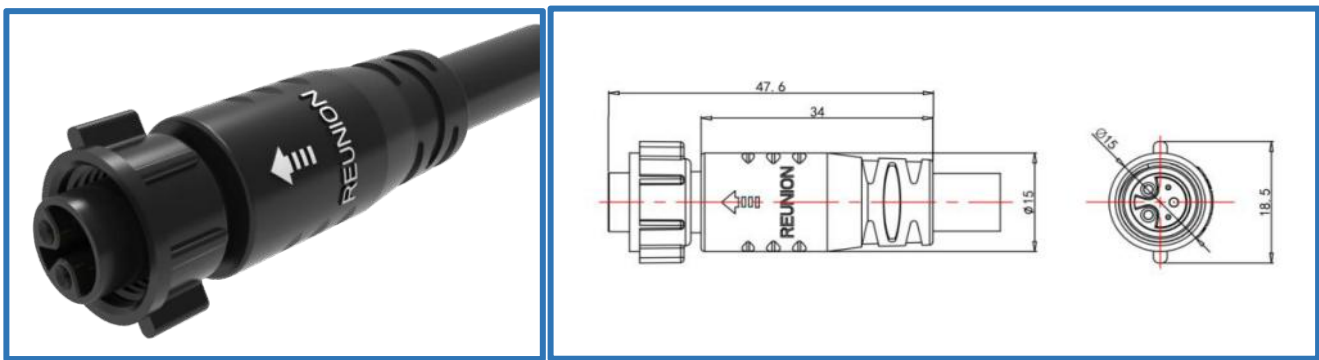
**4Pins Contacts Configuration**

Plns	Contacts OD(mm)	Voltage(Vac)	Current(A)	Contact resistance(mΩ)	Insulation resistance(MΩ)	Mating(times)	Protection Class	Temperature
4	1.6	500	16	4	>1000	>500	IP67	-40~105°C

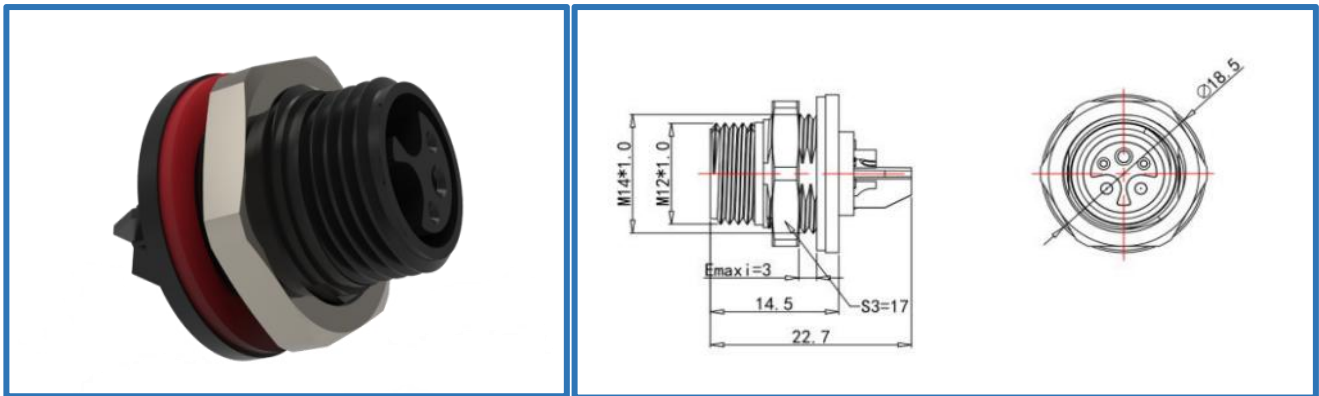
**SHG.1M405.NA : 1M3+2Pins Free Socket**



**PBG.1M405.NL : 1M3+2Pins Straight Plug**



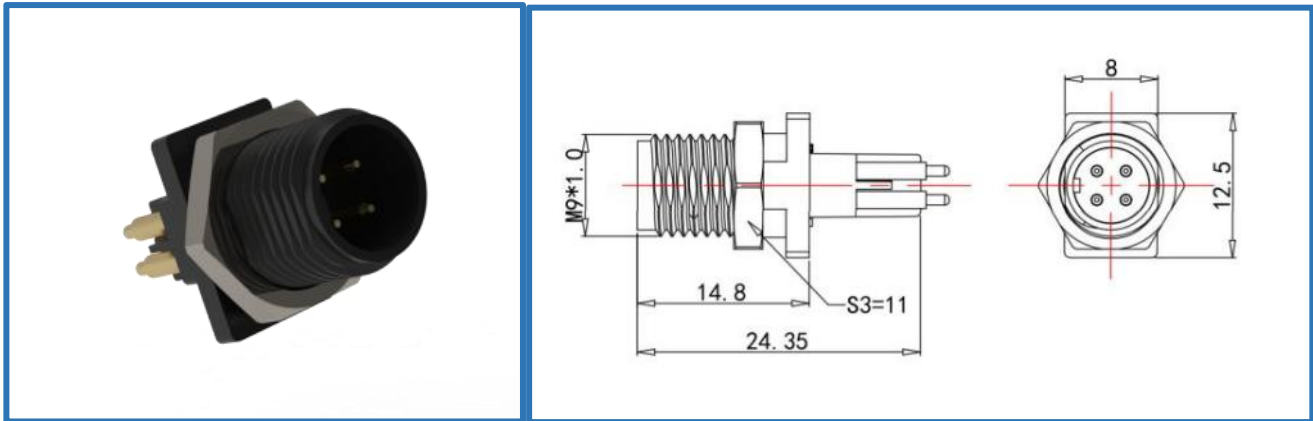
**SEG.1M405.NA : 1M3+2Pins Fixed Socket**



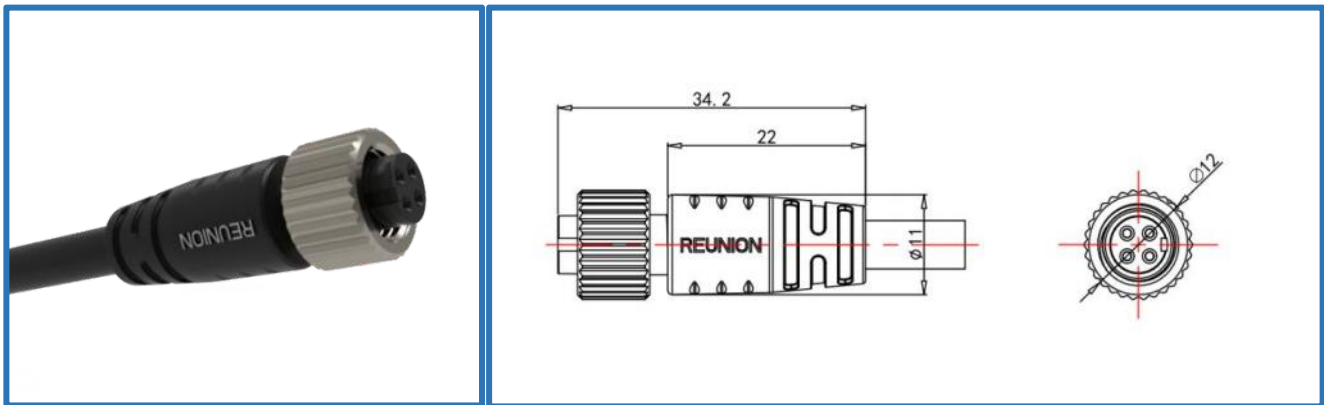
**3+2Pins Contacts Configuration**

Pins	Contacts OD(mm)	Voltage(Vac)	Current(A)	Contact resistance(mΩ)	Insulation resistance(MΩ)	Mating(times)	Protection Class	Temperature
2	1.3	500	12	5	>1000	>500	IP67	-40~105°C
1	1.3	500	12	5				
2	0.7	50	6	7.5				

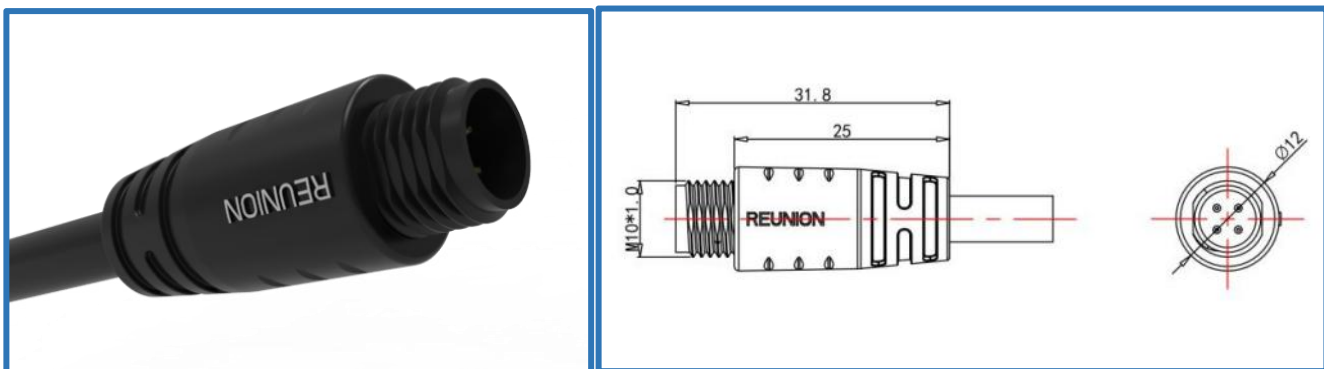
**SBG.1M304.ND : 1M4Pins Fixed Socket**



**PBG.1M304.NL : 1M4Pins Straight Plug**



**SHG.1M304.NA : 1M4Pins Free Socket**

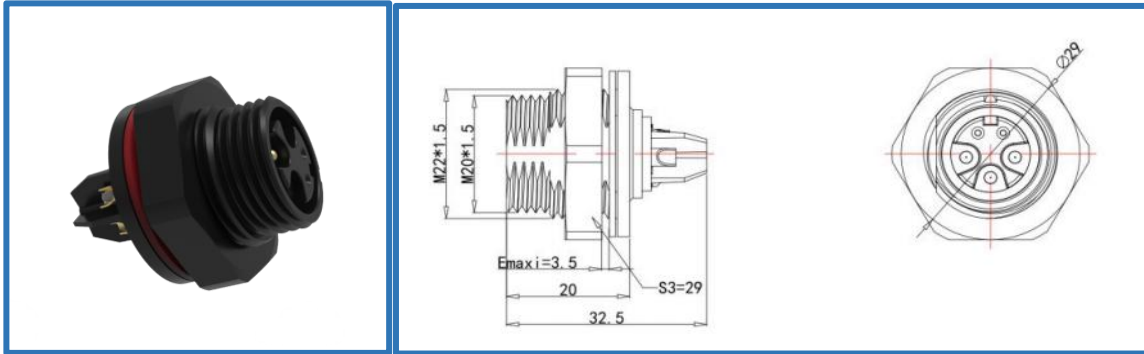


**4Pins Contacts Configuration**

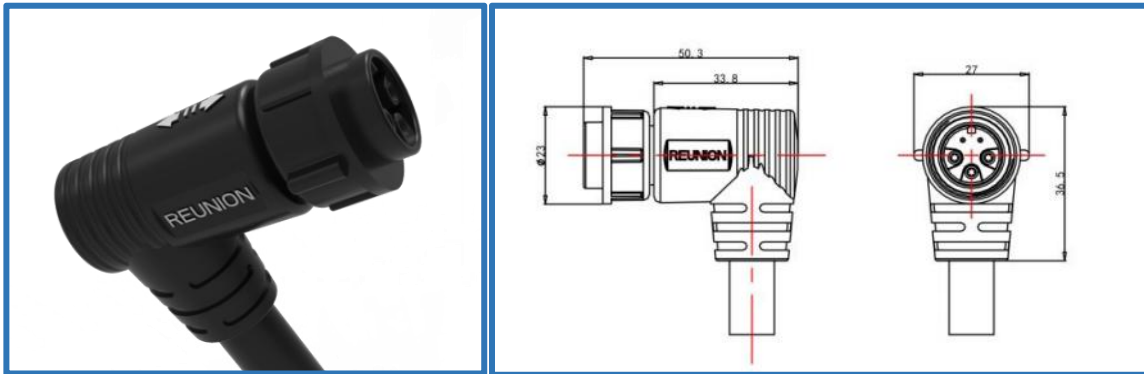
Plns	Contacts OD(mm)	Voltage(Vac)	Current(A)	Contact resistance(mΩ)	Insulation resistance(MΩ)	Mating(times)	Protection Class	Temperature
4	0.9	250	9	6	>1000	>500	IP67	-40~105°C

## 2M SERIES

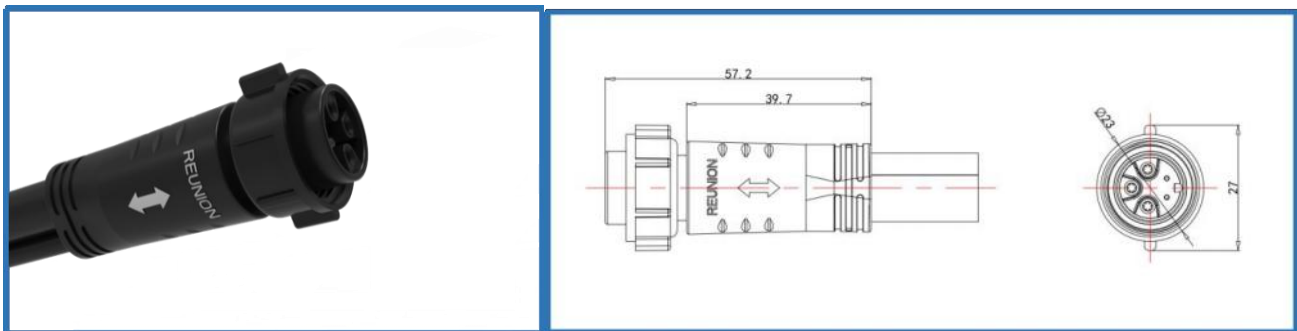
SEG.2M405.NL : 2M3+2Pins Fixed Socket



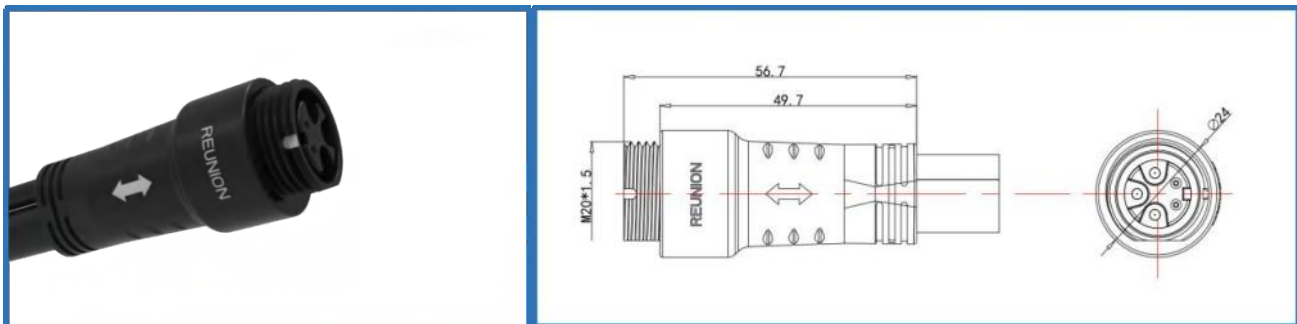
PEG.2M405.NL : 2M3+2Pins Elbow Plug



PAG.2M405.NL: 2M3+2Pins Straight Plug



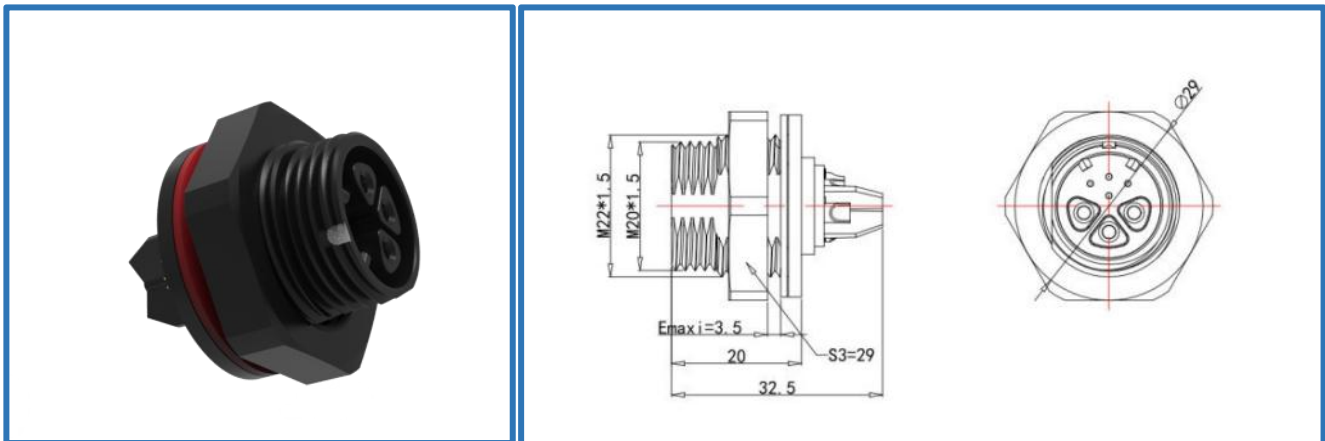
SHG.2M405.NL: 2M3+2Pins Free Socket



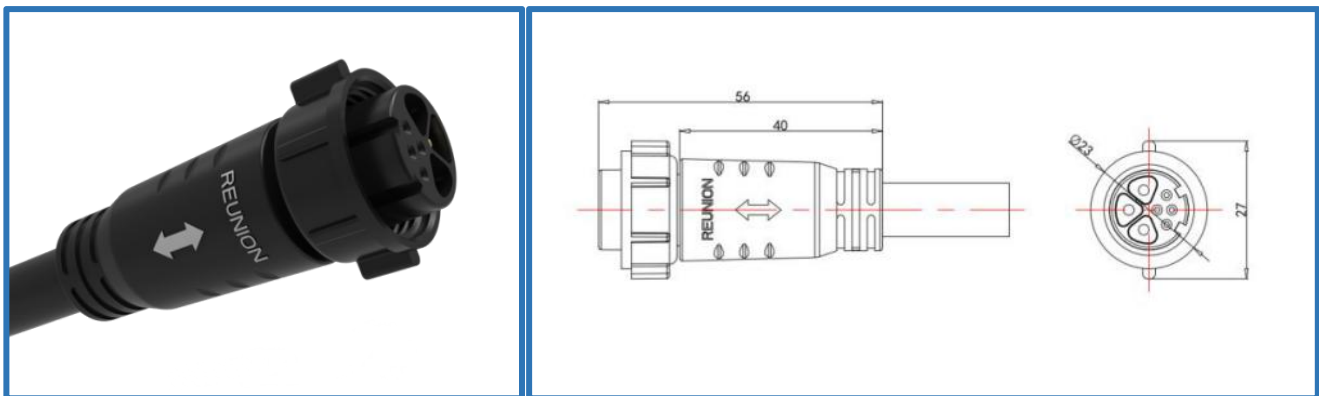
### 3+2Pins Contacts Configuration

Plns	Contacts OD(mm)	Voltage(Vac)	Current(A)	Contact resistance(mΩ)	Insulation resistance(MΩ)	Mating(times)	Protection Class	Temperature
3-power	2.0	500	22	3	>1000	>500	IP67	-40~105°C
2-signal	0.9	100	9	6				

### SEB.2M407.NL : 2M3+4Pins Fixed Socket



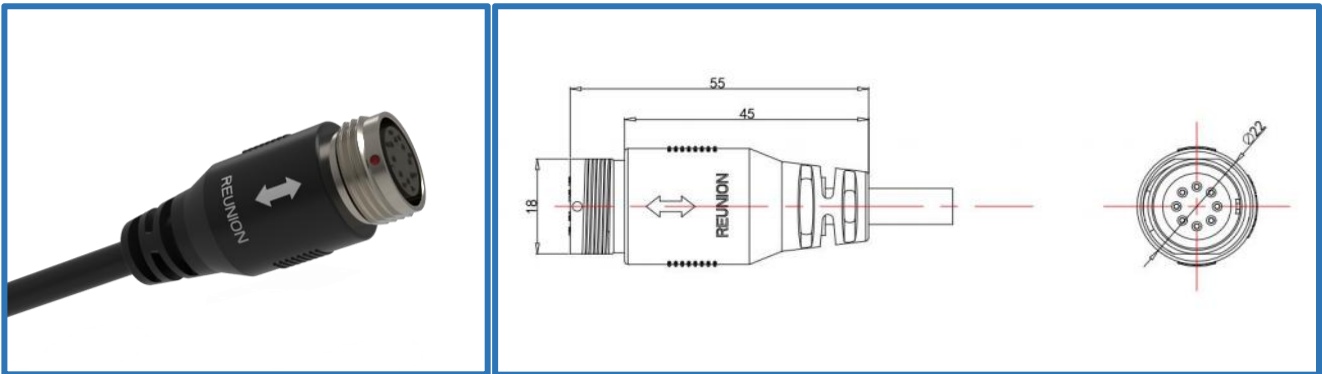
### PAB.2M407.NA : 2M3+4Pins Straight Plug



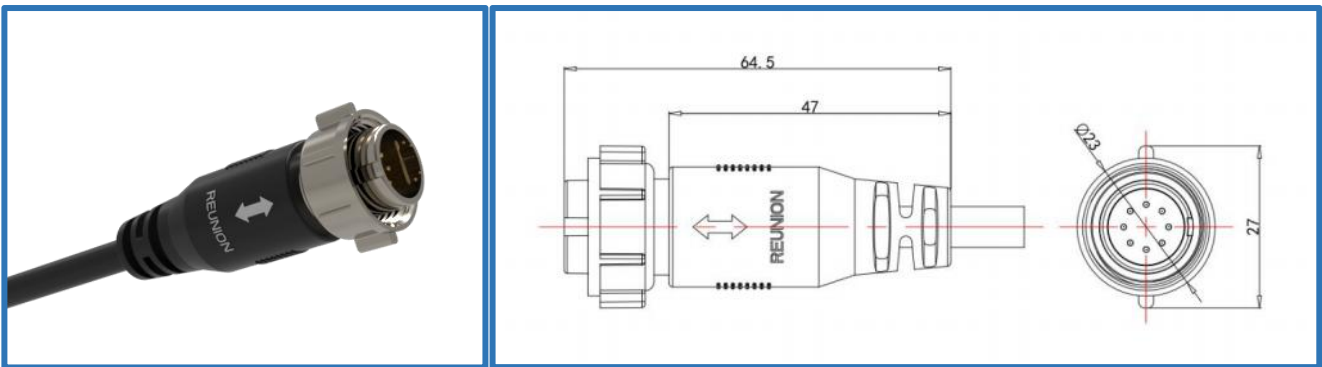
### 3+4Pins Contacts Configuration

Plns	Contacts OD(mm)	Voltage(Vac)	Current(A)	Contact resistance(mΩ)	Insulation resistance(MΩ)	Mating(times)	Protection Class	Temperature
3-power	2.0	500	22	3	>1000	>500	IP67	-40~105°C
4-signal	0.9	100	9	6				

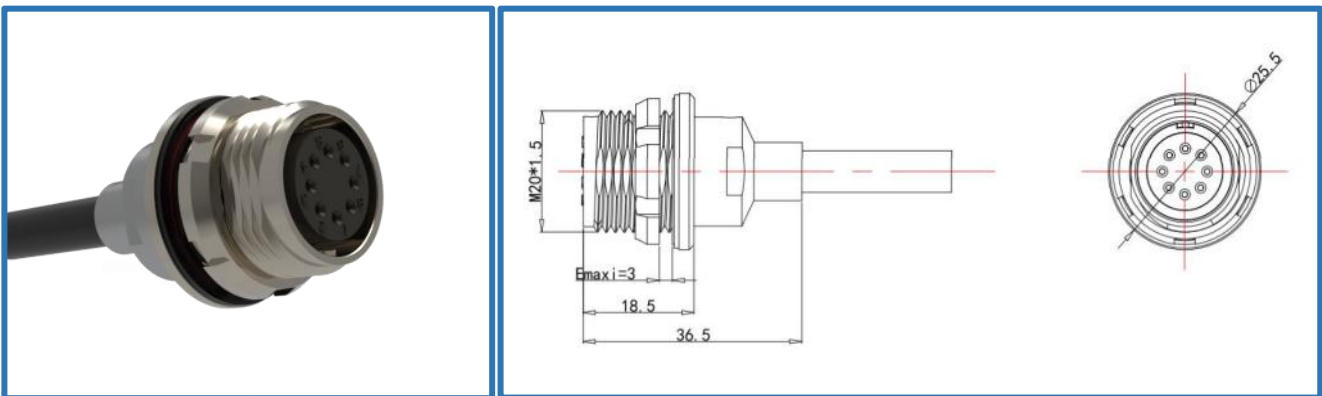
**SHG.2M308.NL : 2M8Pins Free Socket**



**PNG.2M308.NA : 2M8Pins Straight Plug**



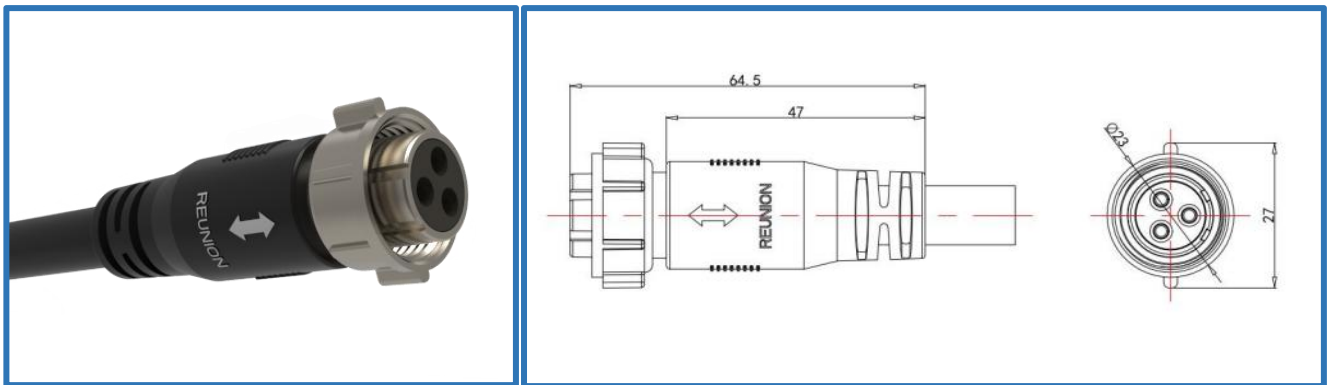
**SNG.2M308.NL : 2M8Pins Fixed Socket**



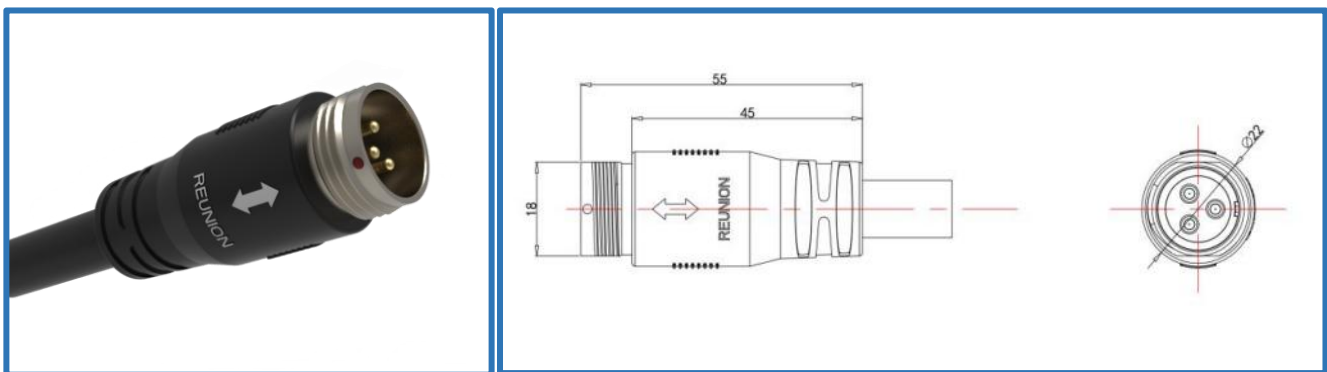
**8Pins Contacts Configuration**

Plns	Contacts OD(mm)	Voltage(Vac)	Current(A)	Contact resistance(mΩ)	Insulation resistance(MΩ)	Mating(times)	Protection Class	Temperature
8	0.9	200	5	6	>1000	>500	IP68	-40~105℃

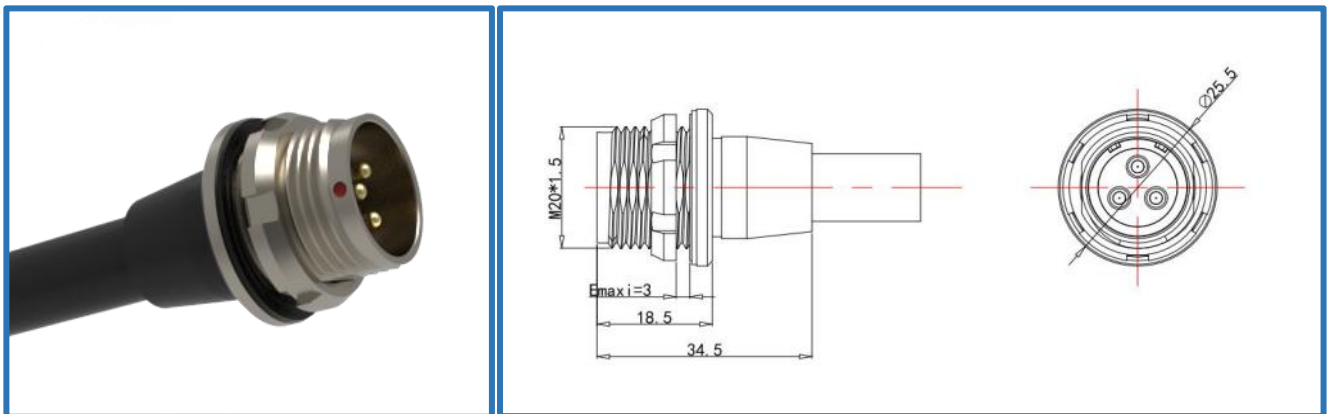
**PNB.2M303.NL : 2M3Pins Straight Plug**



**SHB.2M303.NA : 2MPins Free Socket**



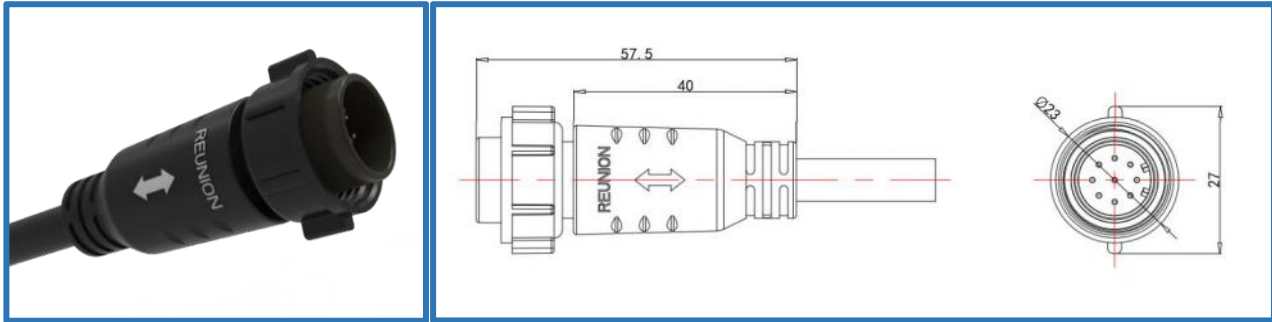
**SNB.2M303.NA : 2M3Pins Fixed Socket**



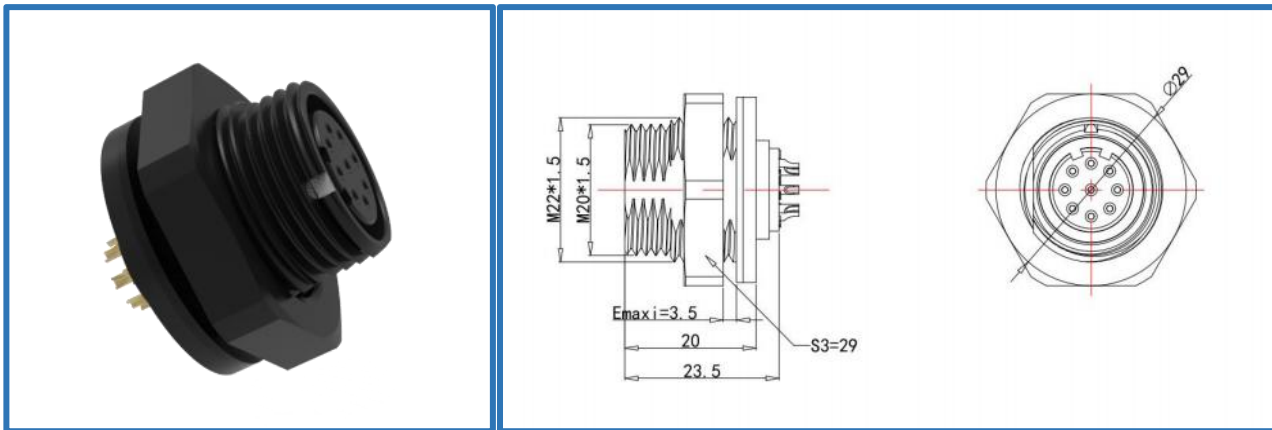
**3Pins Contacts Configuration**

Plns	Contacts OD(mm)	Voltage(Vac)	Current(A)	Contact resistance(mΩ)	Insulation resistance(MΩ)	Mating(times)	Protection Class	Temperature
3	2.0	500	22	3	>1000	>500	IP68	-40~105℃

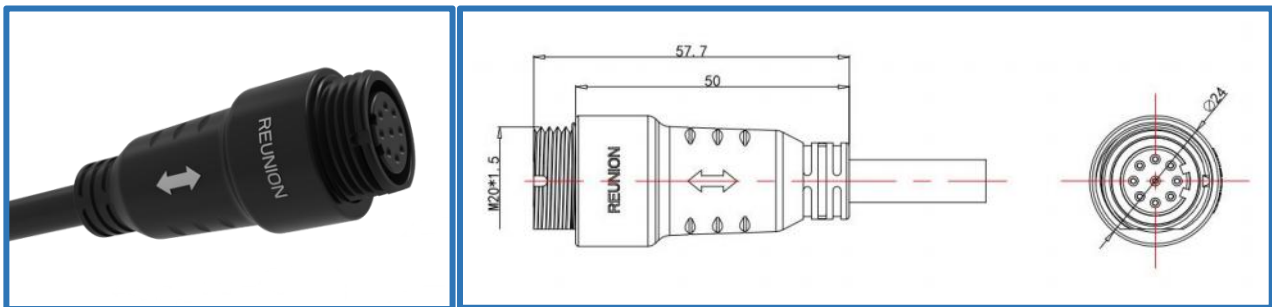
**PEJ.2M309.NA : 2M9Pins Straight Plug**



**SEJ.2M309.NL : 2M9Pins Fixed Socket**



**SHJ.2M309.NL : 2M9Pins Free Socket**



**9Pins Contacts Configuration**

Plns	Contacts OD(mm)	Voltage(Vac)	Current(A)	Contact resistance(mΩ)	Insulation resistance(MΩ)	Mating(times)	Protection Class	Temperature
9	0.9	500	9	6	>1000	>500	IP67	-40~105℃



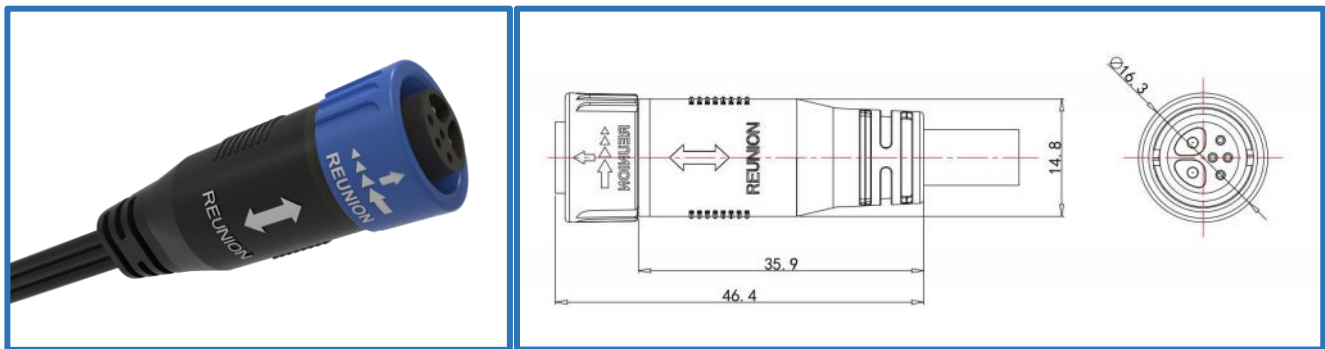
# X SERIES

## X Series Power & Signal Connectors

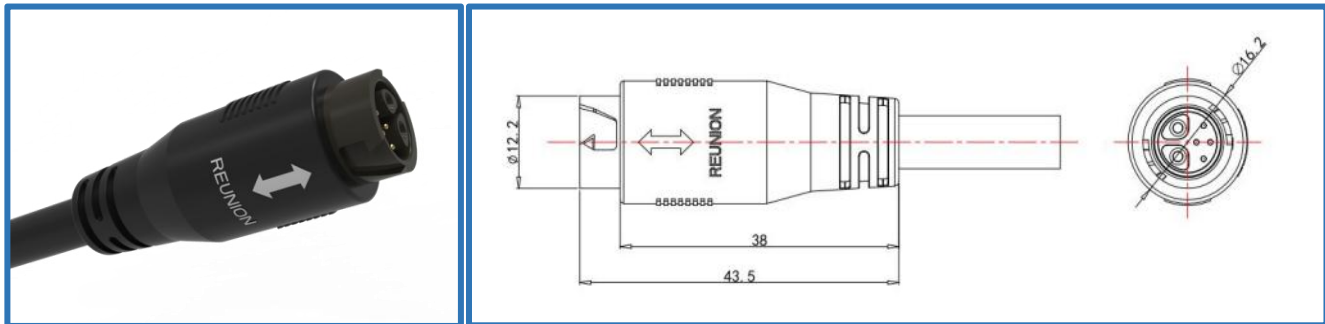
- Safe and reliable connection system;
- Multipole, power and signal output;
- Solder or PCB print contacts;
- Compact design for space saving;
- Plastic shell, IP67 waterproof;

## 1X SERIES

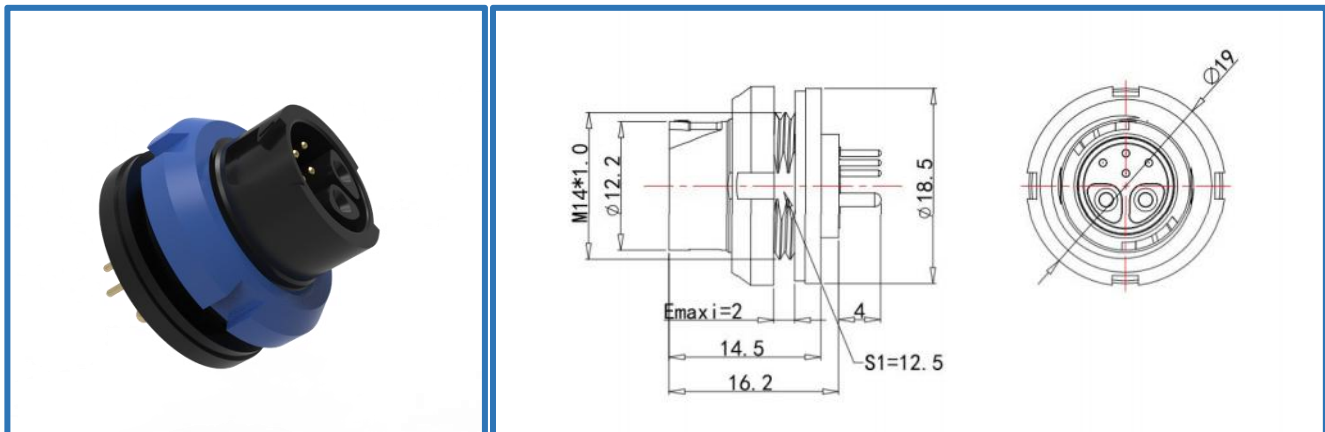
### PAN.1X406.NA : 1X2+4Pins Straight Plug



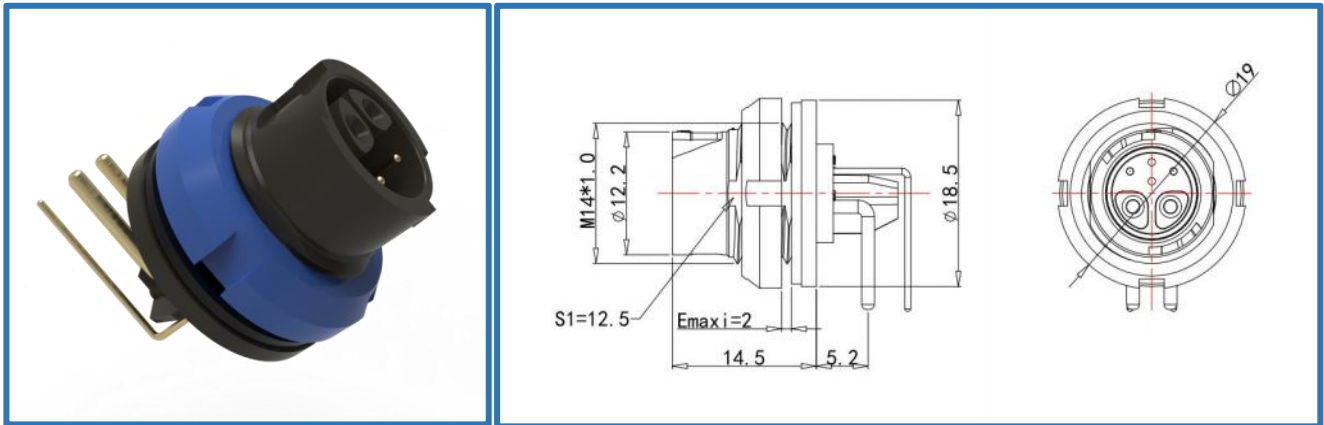
### SHN.1X406.NL : 1X2+4Pins Free Socket



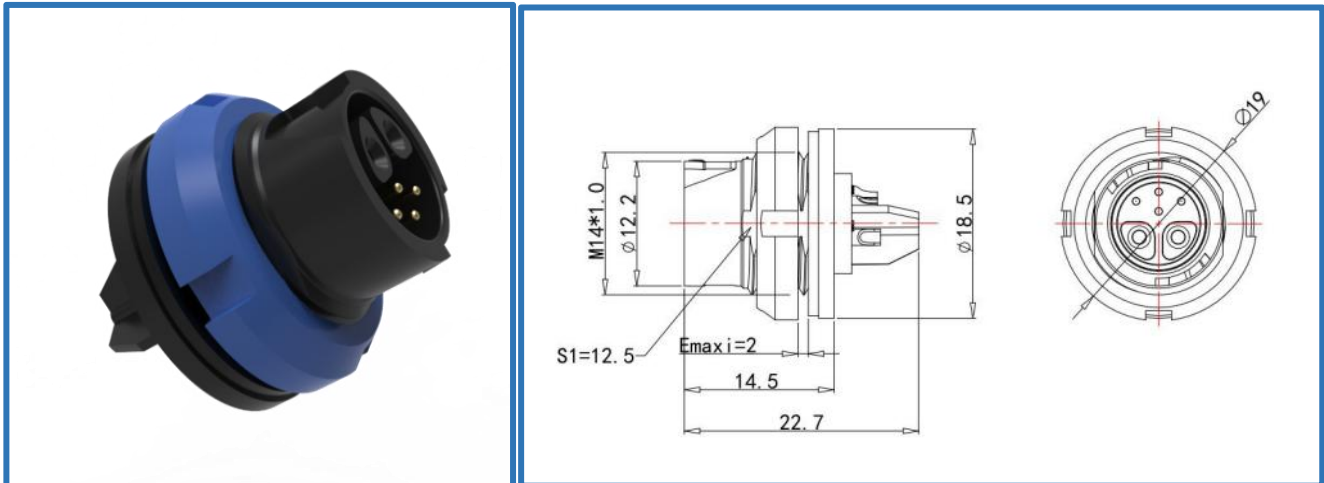
### SEN.1X406.NN : 1X2+4Pins Fixed Socket, PCB



**SEN.1X406.NV : 1X2+4Pins Fixed Socket, PCB**



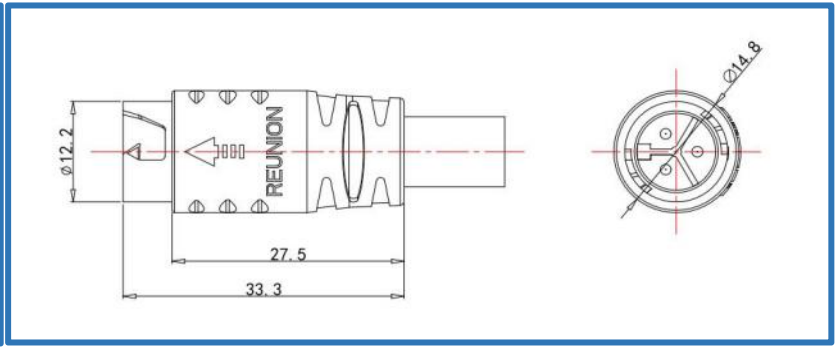
**SEN.1X406.NL : 1X2+4Pins Fixed Socket, Solder**



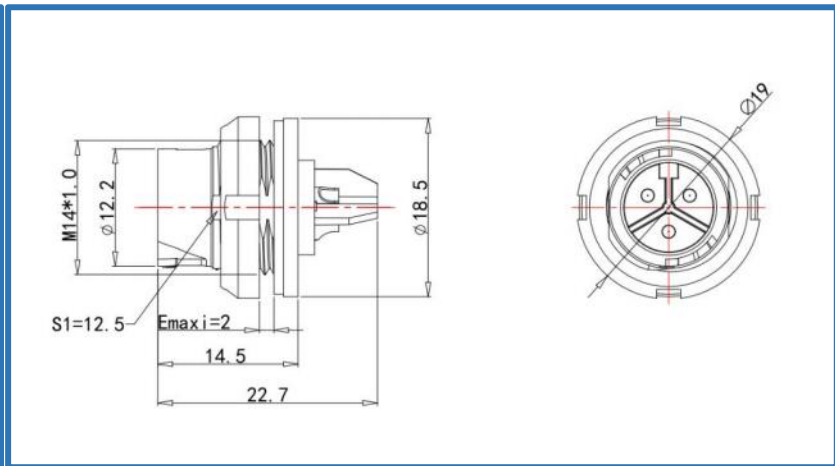
**2+4Pins Contacts Configuration**

Pins	Contacts OD(mm)	Voltage(Vac)	Current(A)	Contact resistance(mΩ)	Insulation resistance(MΩ)	Mating(times)	Protection Class	Temperature
2-power	1.3	500	12	7.5	>1000	>500	IP67	-40~105°C
4-signal	0.7	50	6	5				

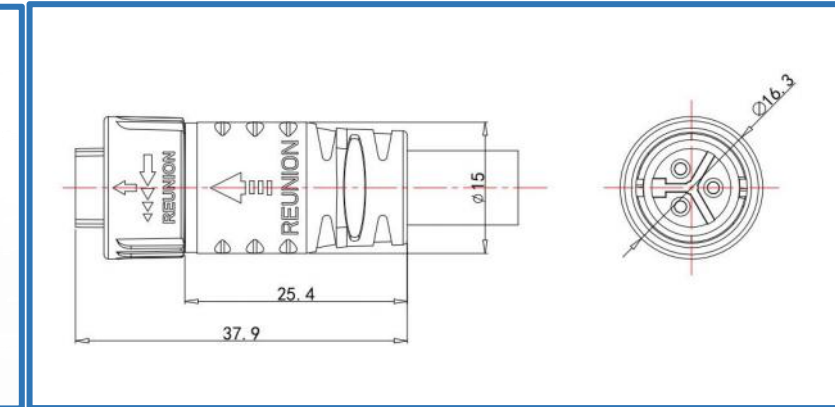
**SHG.1X303.NA : 1X3Pins Free Socket**



**SEG.1X303.NA : 1X3Pins Fixed Socket**



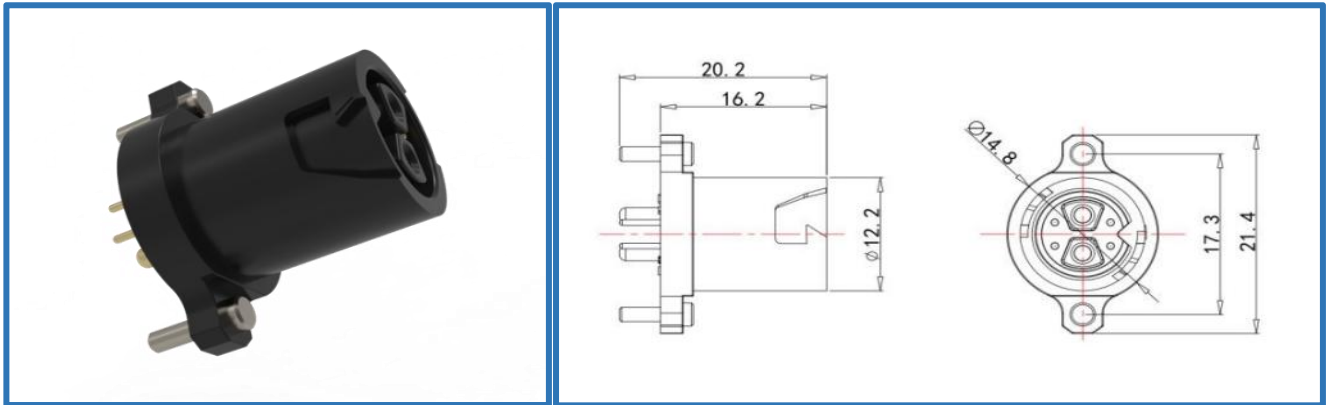
**PAG.1X303.NL : 1X3Pins Straight Plug**



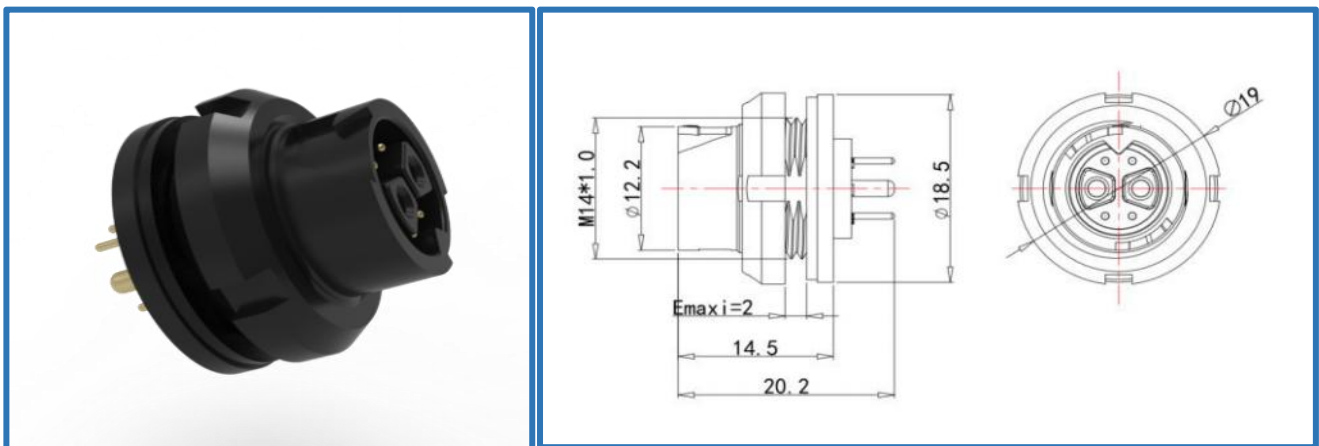
**3Pins Contacts Configuration**

Pins	Contacts OD(mm)	Voltage(Vac)	Current(A)	Contact resistance(m $\Omega$ )	Insulation resistance(M $\Omega$ )	Mating(times)	Protection Class	Temperature
3	1.3	250	12	7.5	>1000	>500	IP67	-40~105 $^{\circ}$ C

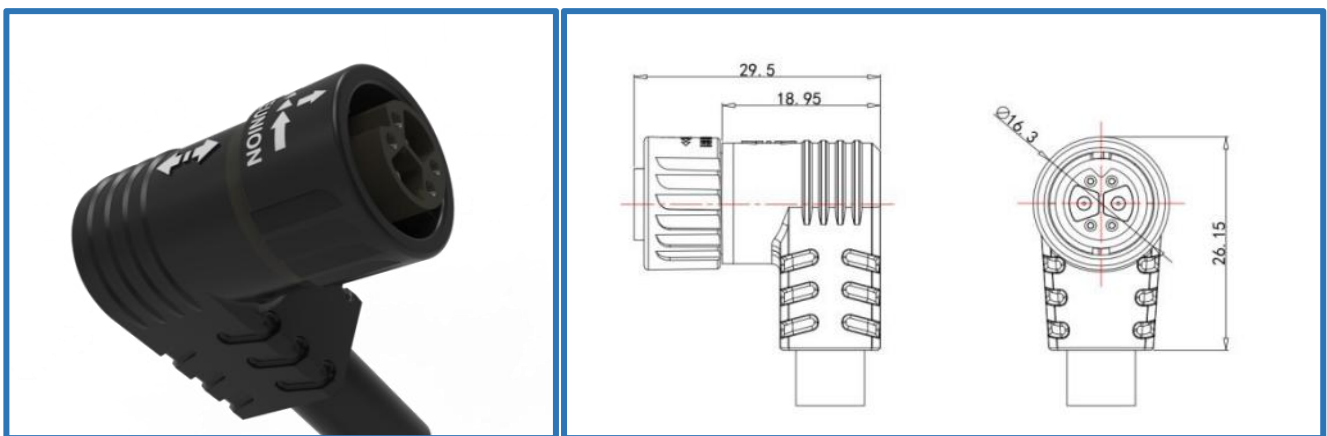
**SGN.1X406.NN : 1X2+4Pins Fixed Socket**



**SCN.1X406.NN : 1X2+4Pins Fixed Socket**



**PCN.1X406.NA : 1X2+4Pins Elbow Plug**

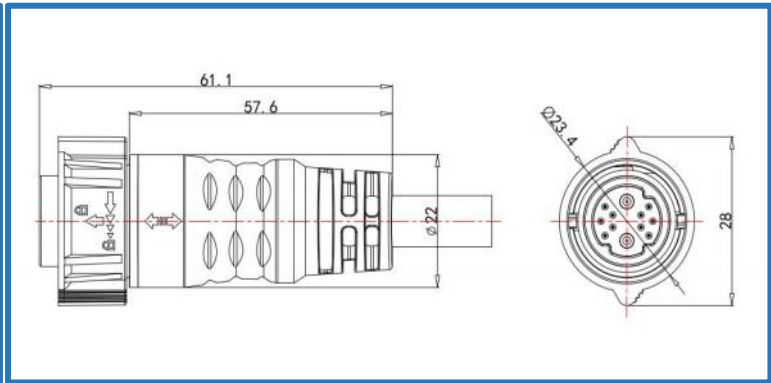


**2+4Pins Contacts Configuration**

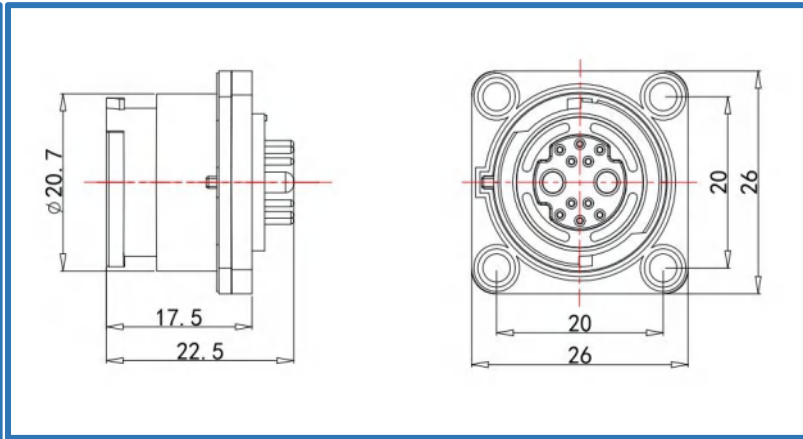
Plns	Contacts OD(mm)	Voltage(Vac)	Current(A)	Contact resistance(mΩ)	Insulation resistance(MΩ)	Mating(times)	Protection Class	Temperature
2-power	1.6	500	16	4	>1000	>500	IP67	-40~105℃
4-signal	0.7	50	6	7.5				

## 2X SERIES

### PMG.2X312.NA : 2X2+10Pins Straight Plug



### SMG.2X312.NN : 2X2+10Pins Fixed Socket

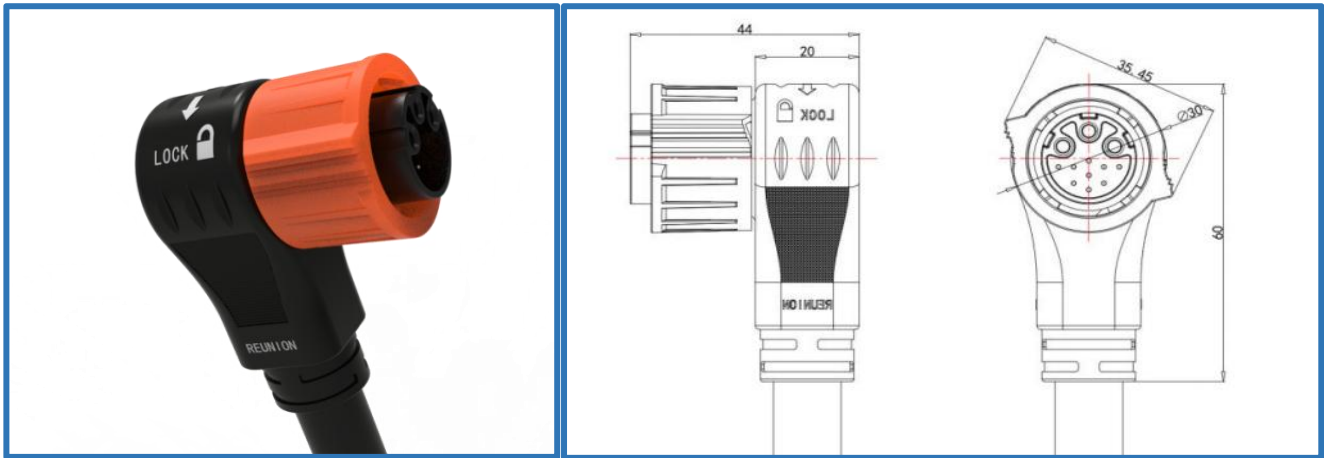


### 2+10Pins Contacts Configuration

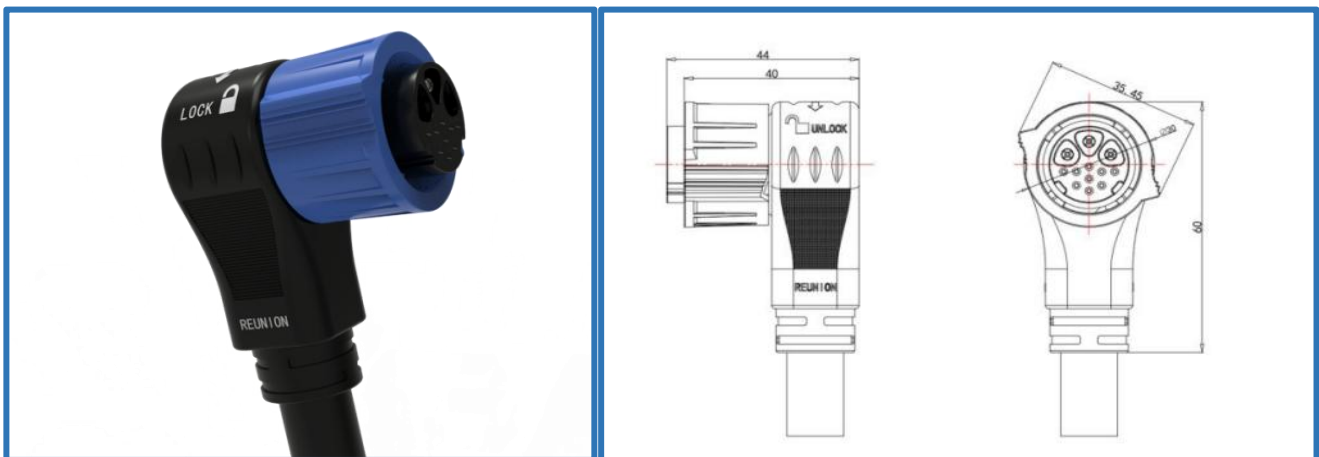
Pins	Contacts OD(mm)	Voltage(Vac)	Current(A)	Contact resistance(mΩ)	Insulation resistance(MΩ)	Mating(times)	Protection Class	Temperature
2-power	2.4	300	20	2.5	>3000	>500	IP67	-40~105℃
10-signal	0.6	30	5	8.5				

## 3X SERIES

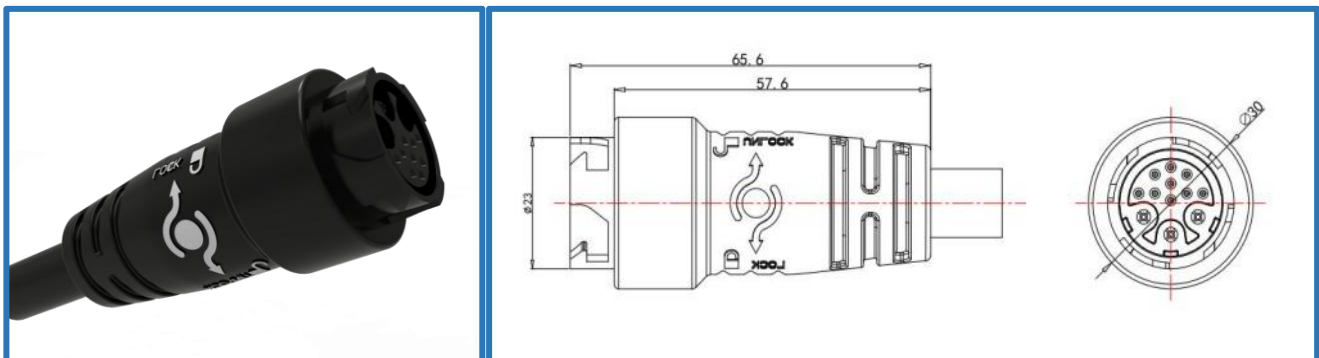
**PAD.3X412.NL : 3X3+9Pins Elbow Plug-Female**



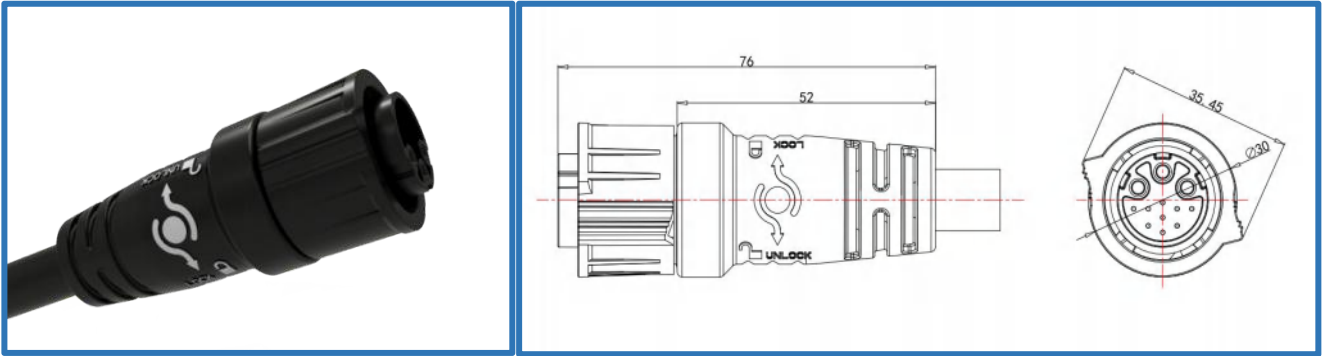
**PAD.3X412.NA : 3X3+9Pins Elbow-Male**



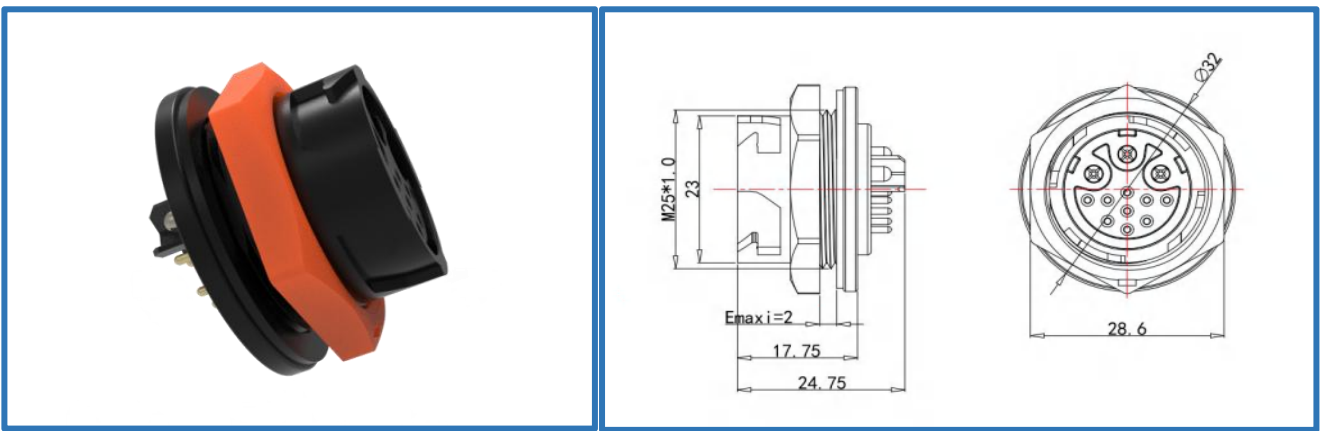
**SHD.3X412.NA : 3X3+9pins Free Socket-Male**



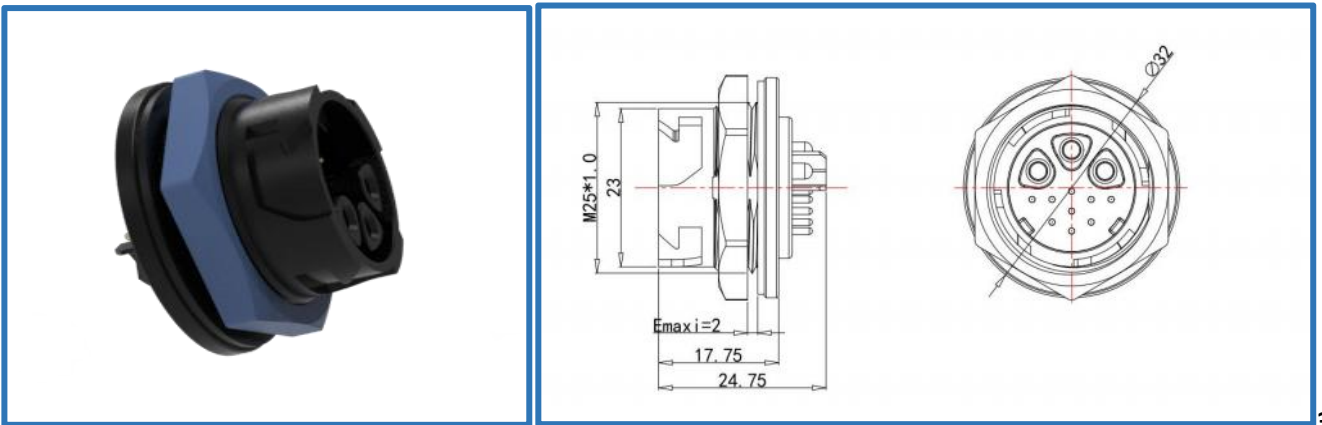
**PBD.3X412.NL : 3X3+9Pins Straight Plug-Female**



**SED.3X412.ND : 3X3+9Pins Fixed Socket-Female, PCB**



**SED.3X412.NN : 3X3+9Pins Fixed Socket-Male, PCB**



3+9

**Pins Contacts Configuration**

Pins	Contacts OD(mm)	Voltage(Vac)	Current(A)	Contact resistance(mΩ)	Insulation resistance(MΩ)	Mating(times)	Protection Class	Temperature
3-power	2.4	300	30	2.5	> 3000	> 500	IP67	-40~105°C
9-signal	0.9	30	5	6				

# FLAT H SERIES

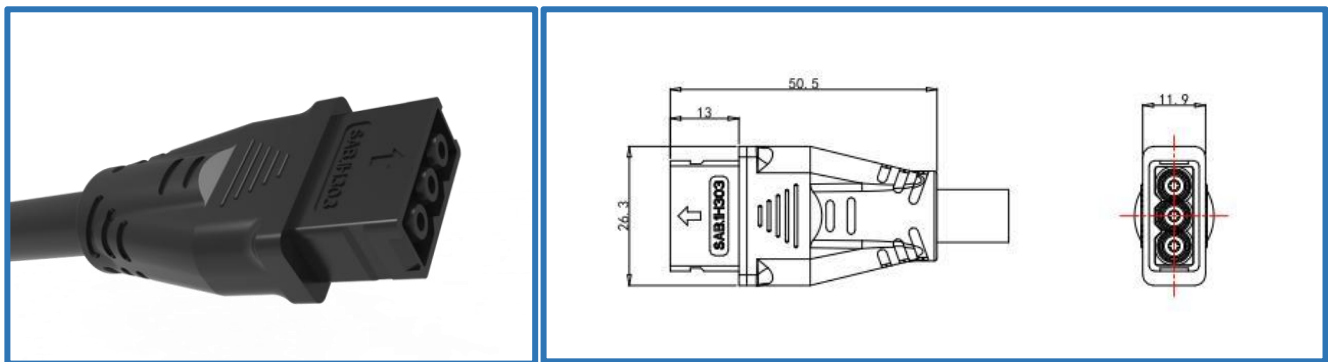
## H Series Flat Connectors

- Safe and reliable connection system;
- Multipole, power and signal output;
- Solder or PCB print contacts;
- Compact design for space saving;
- Plastic shell, IP67 waterproof;

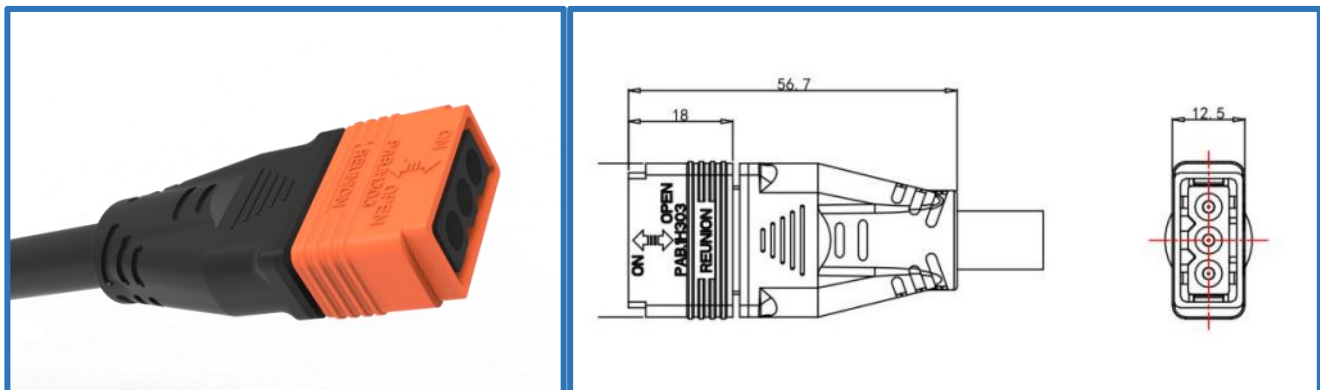
## H Series

### 3PINS

#### SAB.1H303.NL : Socket with cable, Push-Pull



#### PAB.1H303.NA : Plug with cable, Push-Pull

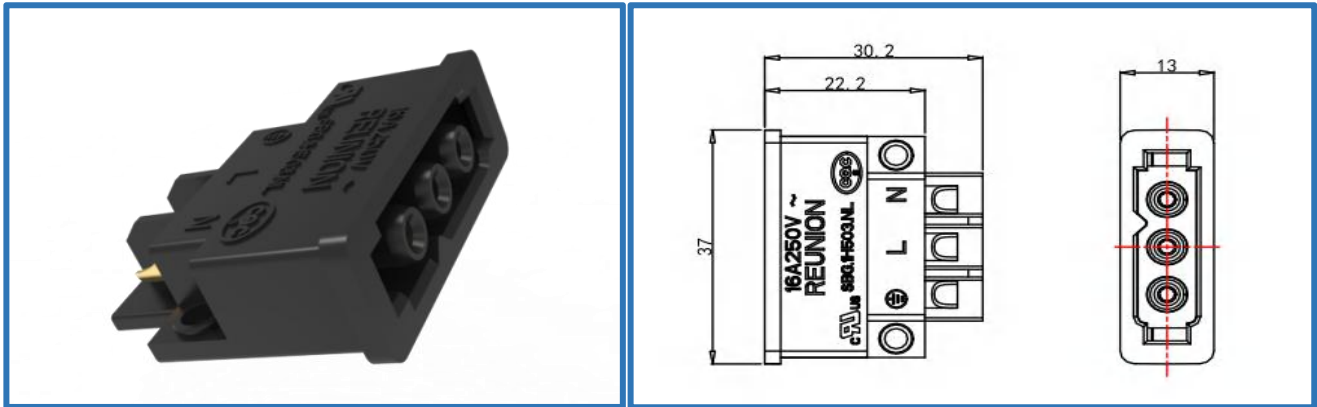


### 3Pins Contacts Configuration

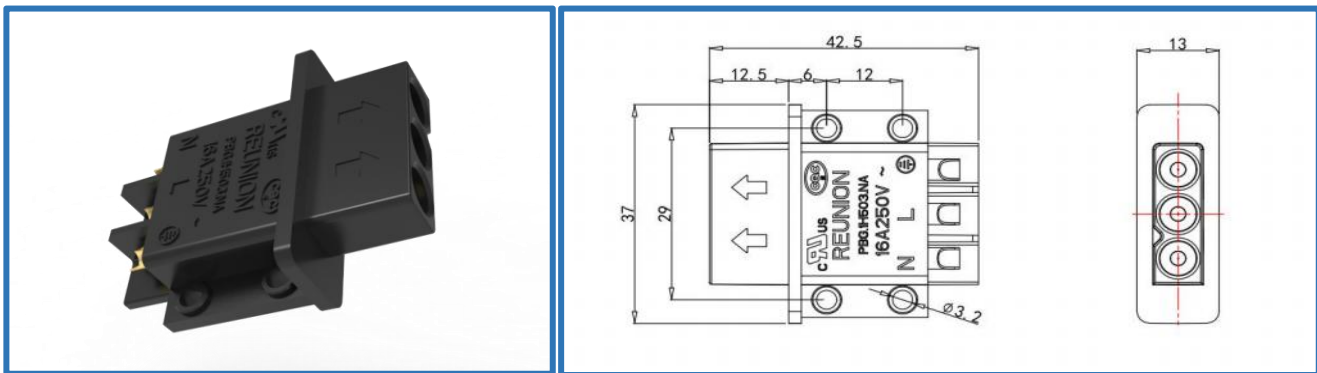
Pins	Contacts OD(mm)	Voltage(Vac)	Current(A)	Contact resistance(mΩ)	Insulation resistance(MΩ)	Mating(times)	Protection Class	Temperature
3	2.0	250	20	3	>1000	>500	IP50	-40~105°C



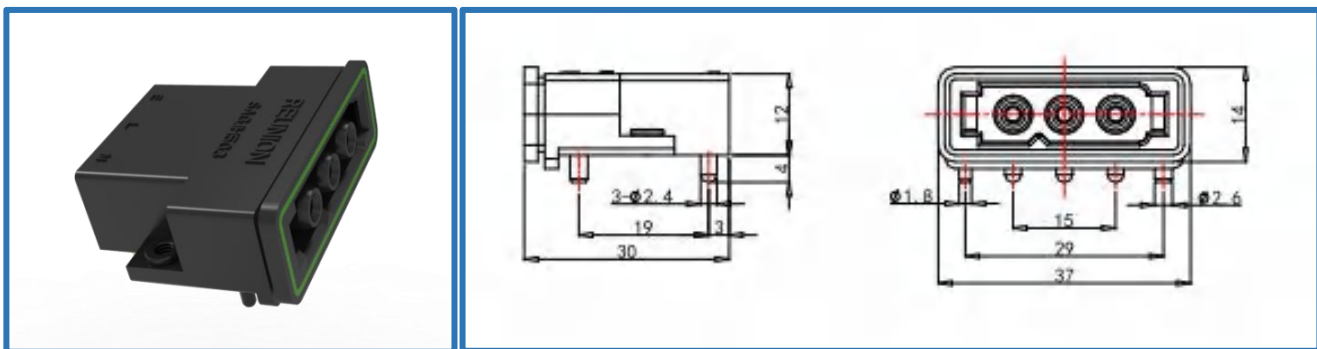
**SBG.1H503.NL : Socket , Screw Fixing**



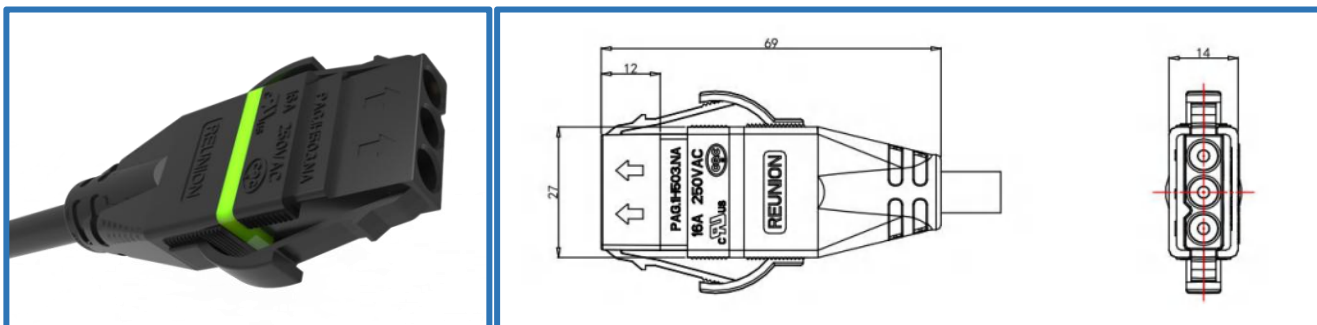
**PBG.1H503.NA : Plug , Screw Fixing**



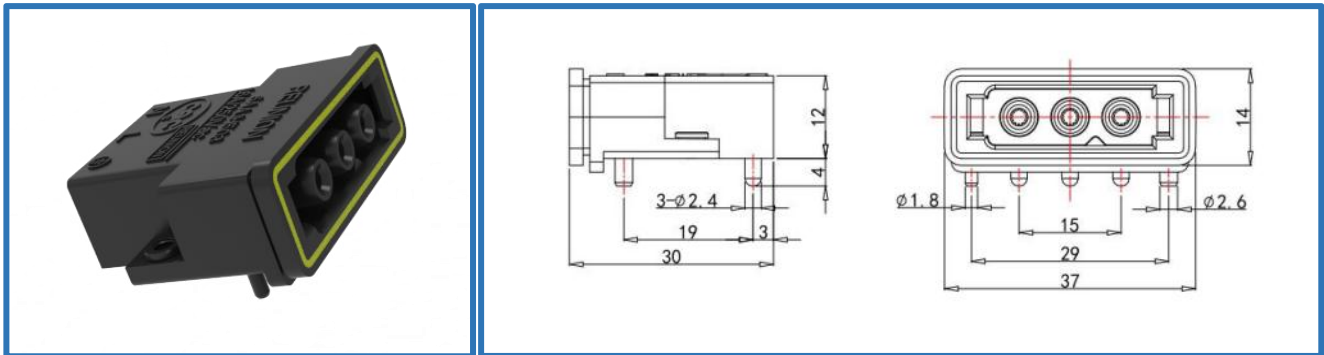
**SAG.1H503 : Socket-PCB**



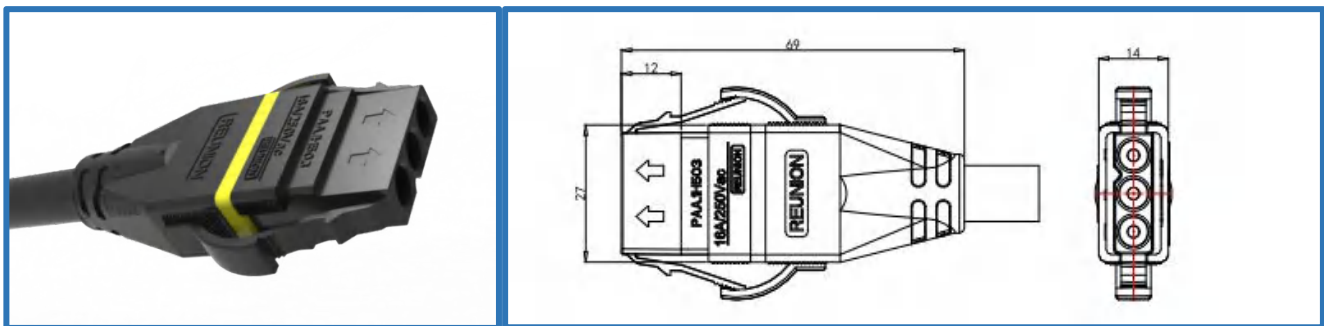
**PAG.1H503.NA : Plug with Cable**



### SAA.1H503 - Socket-PCB



### PAA.1H503 : Plug with Cable

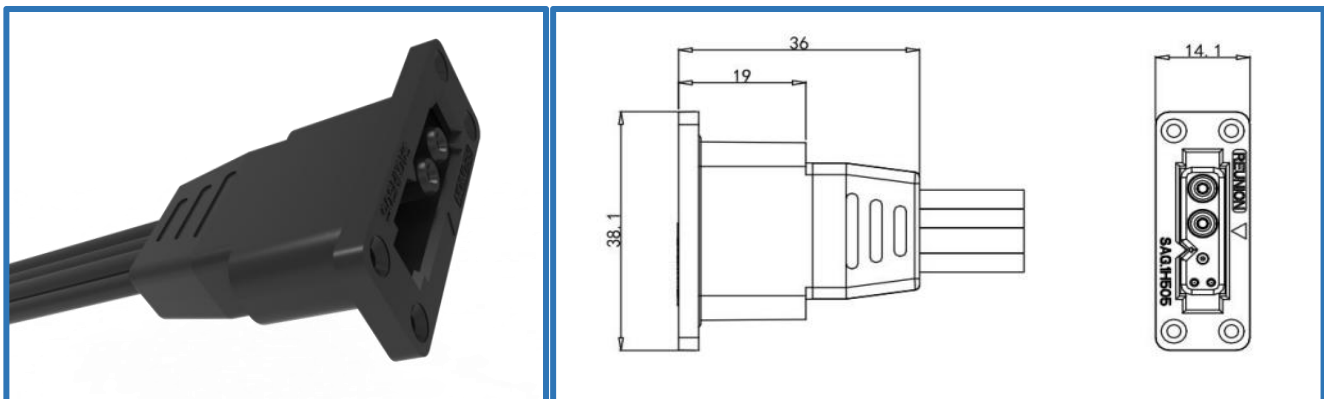


### 3Pins Contacts Configuration

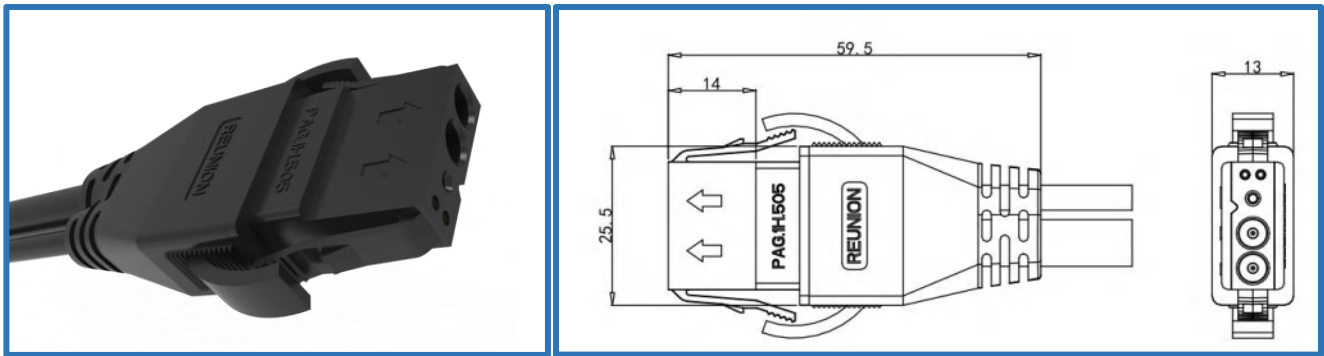
Plns	Contacts OD(mm)	Voltage(Vac)	Current(A)	Contact resistance(mΩ)	Insulation resistance(MΩ)	Mating(times)	Protection Class	Temperature
3	2.4	250	30	3	>1000	>500	IP50	-40~105°C

### 3+2Pins

### SAG.1H505.PL : Socket with cable



**PAG.1H505.PA : Plug with cable**

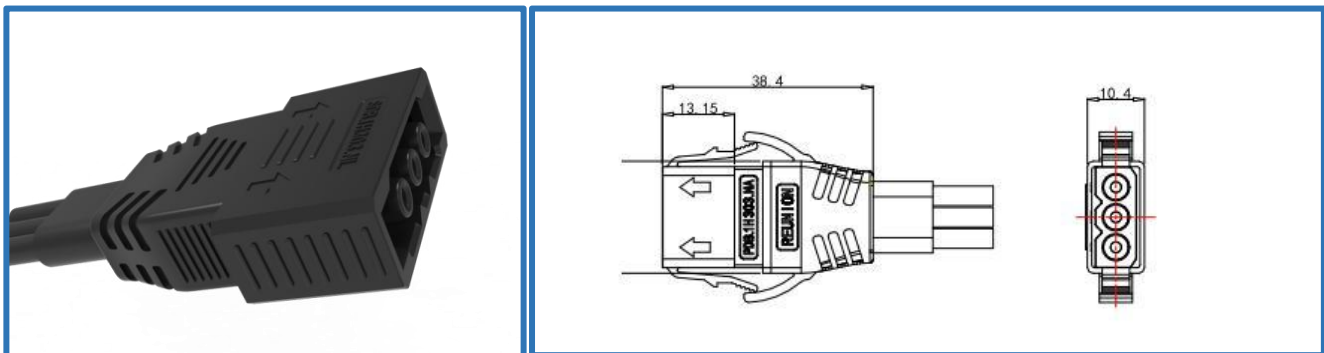


**3+2Pins Contacts Configuration**

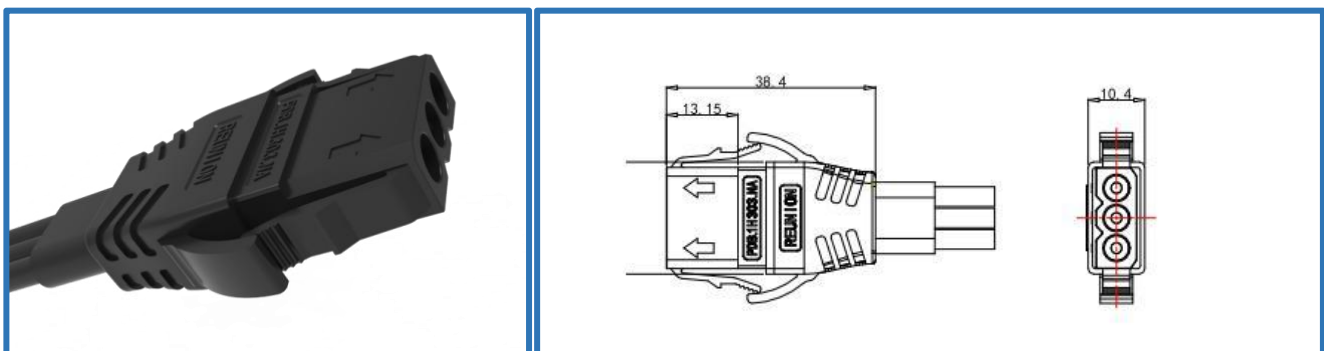
Pins	Contacts OD(mm)	Voltage(Vac)	Current(A)	Contact resistance(mΩ)	Insulation resistance(MΩ)	Mating(times)	Protection Class	Temperature
2	1.6	250	115	4	>1000	>500	IP50	-40~105°C
3	0.9	5	24	6				

**3Pins Mini ( 250V20A )**

**SDB.1H303.NL : Socket with cable**



**PDB.1H303.NA : Plug with cable**

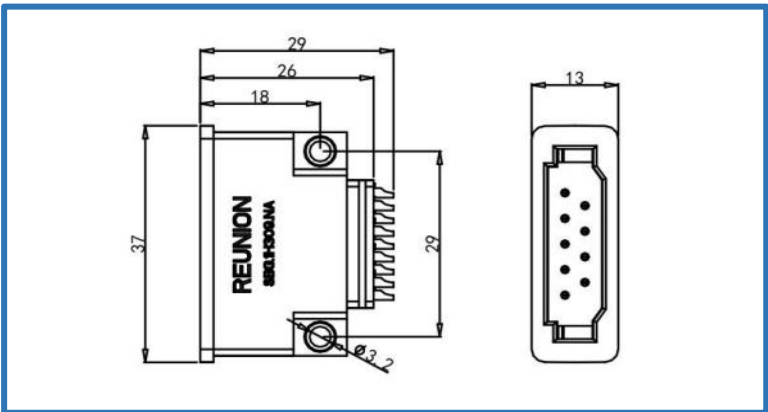
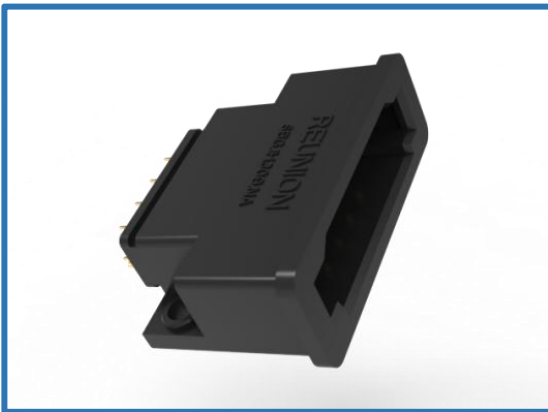


**3Pins Contacts Configuration**

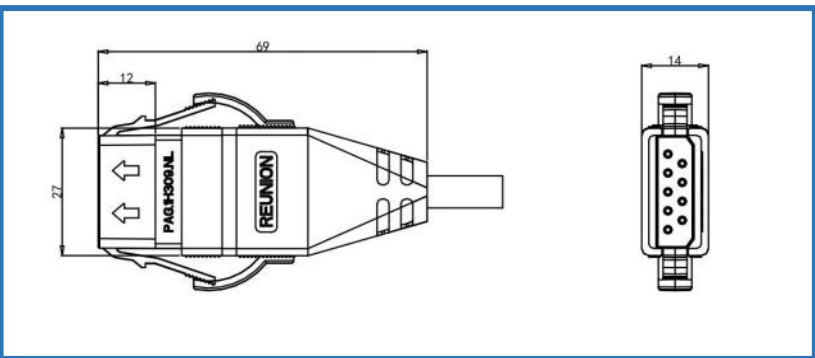
Plns	Contacts OD(mm)	Voltage(Vac)	Current(A)	Contact resistance(mΩ)	Insulation resistance(MΩ)	Mating(times)	Protection Class	Temperature
3	2.0	250	20	3	>1000	>500	IP50	-40~105°C

**9Pins**

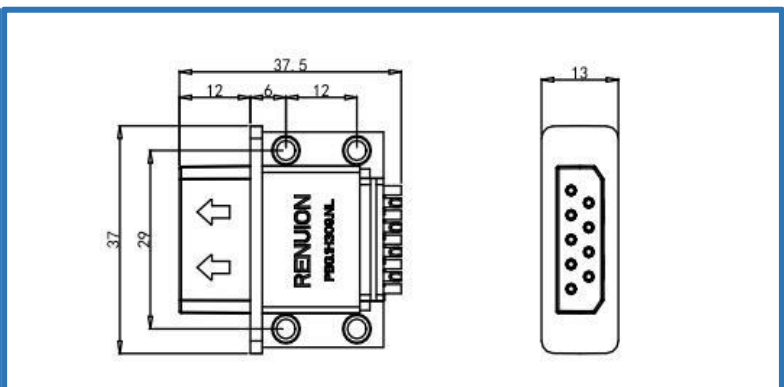
**SBG.1H309.NA : Socket-Signal**



**PAG.1H309.NL : Plug with Cable-Signal**



**PBG.1H309.NL : Plug-Signal**

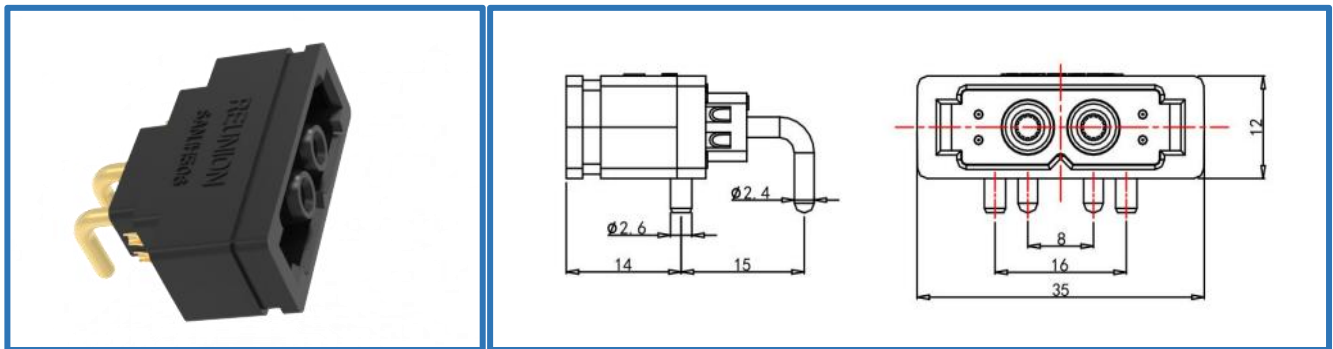


### 9Pins Contacts Configuration

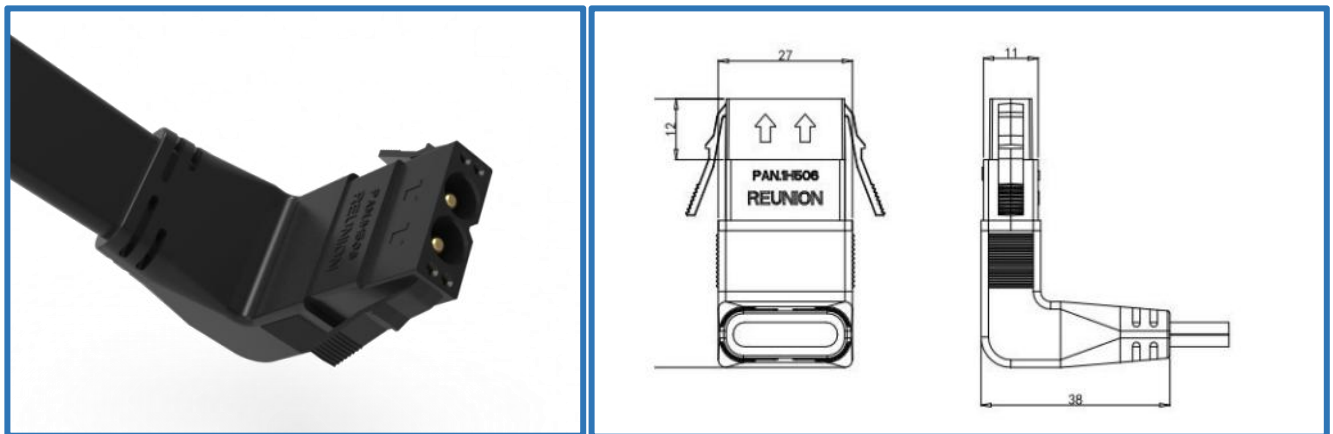
Plns	Contacts OD(mm)	Voltage(Vac)	Current(A)	Contact resistance(mΩ)	Insulation resistance(MΩ)	Mating(times)	Protection Class	Temperature
9	1.0	250	5	7	>1000	>500	IP50	-40~105°C

### 2+4 Series

#### SAN.1H506 : Socket-PCB



#### PAN.1H506 : Plug with Cable

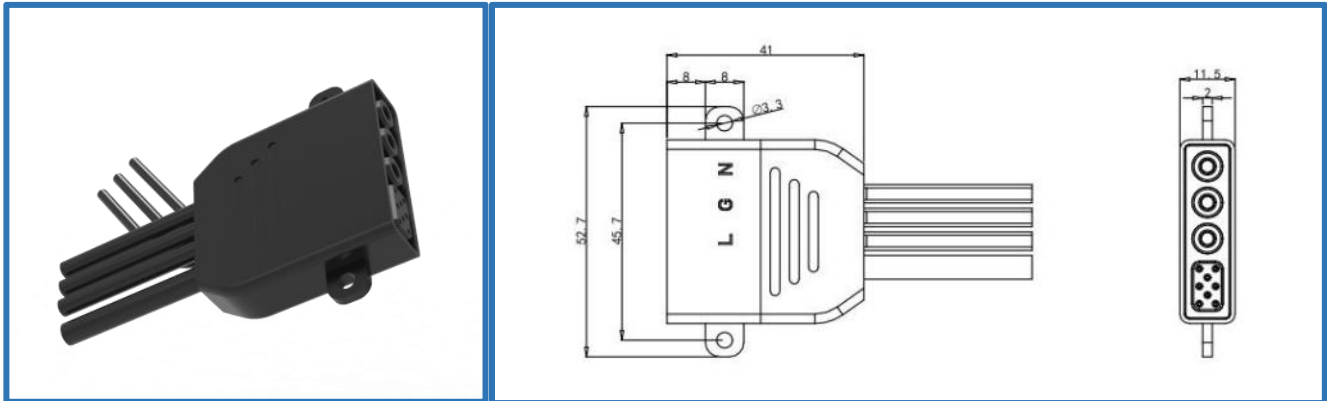


### 2+4Pins Contacts Configuration

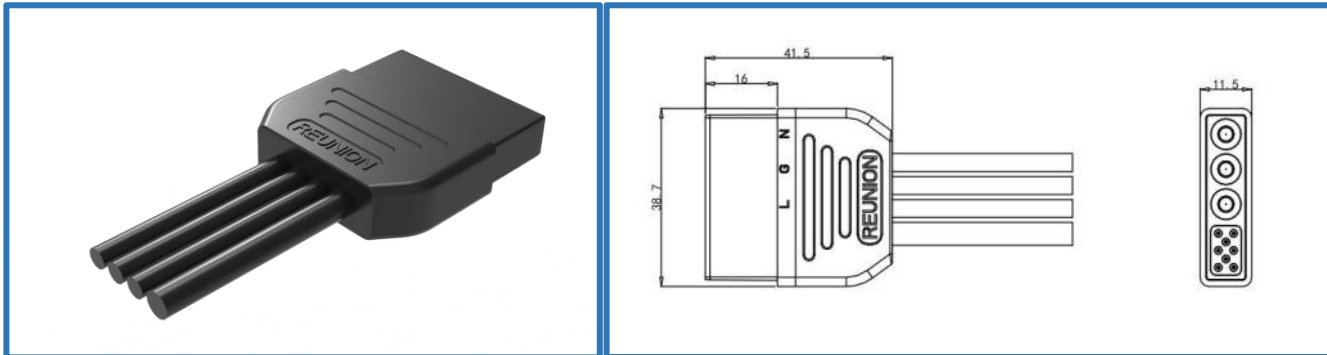
Plns	Contacts OD(mm)	Voltage(Vac)	Current(A)	Contact resistance(mΩ)	Insulation resistance(MΩ)	Mating(times)	Protection Class	Temperature
2-power	2.4	250	30	2	>1000	>500	IP50	-40~105°C
4-signal	1.0	250	5	7				

### 3+8Pins

#### SCG.1H411: Socket



#### PCG.1H411: Plug



#### 3+8Pins Contacts Configuration

Pins	Contacts OD(mm)	Voltage(Vac)	Current(A)	Contact resistance(mΩ)	Insulation resistance(MΩ)	Mating(times)	Protection Class	Temperature
3-power	2.4	250	30	3	>1000	>500	IP50	-40~105°C
8-signal	1.0	250	5	7				